

# INSTALLATION INSTRUCTIONS

30", 36" and 48"

Professional Vent Hoods

ELEVATE EVERYTHING

**MONOGRAM**

# Safety Information

## BEFORE YOU BEGIN

Read these instructions completely and carefully.

■ **IMPORTANT** — Save these instructions for local inspector's use.

■ **IMPORTANT** — Observe all governing codes and ordinances.

■ **Note to Installer** — Be sure to leave these instructions with the Consumer.

■ **Note to Consumer** — Keep these instructions with your Owner's Manual for future reference.

■ **Skill Level** — Installation of this appliance requires basic mechanical and electrical skills.

■ **Completion Time** — 1 to 3 Hours.

■ Proper installation is the responsibility of the installer. Product failure due to improper installation is not covered under the warranty.

■ For Monogram local service in your area, call 1.800.444.1845.

■ For Monogram service in Canada, call 1.800.561.3344.

■ For Monogram Parts and Accessories, call 1.800.626.2002.

▲ **CAUTION** Due to the weight and size of these vent hoods and to reduce the risk of personal injury or damage to the product, **TWO PEOPLE ARE REQUIRED FOR PROPER INSTALLATION.**

▲ **WARNING** To reduce the risk of fire or electrical shock, do not use this range hood with any external solid-state speed control device. Any such alteration from original factory wiring could result in damage to the unit and/or create an electrical safety hazard. **TO REDUCE THE RISK OF FIRE, USE ONLY METAL DUCTWORK.**

▲ **WARNING** TO REDUCE THE RISK OF FIRE, ELECTRICAL SHOCK OR INJURY TO PERSONS, OBSERVE THE FOLLOWING:

- A. Use this unit only in the manner intended by the manufacturer. If you have any questions, contact the manufacturer.
- B. Before servicing or cleaning the unit, switch the power off at the service panel and lock the service disconnecting means to prevent the power from being switched on accidentally. When the service disconnecting means cannot be locked, securely fasten a prominent warning device, such as a tag, to the service panel.

▲ **CAUTION** FOR GENERAL VENTILATING USE ONLY. DO NOT USE TO EXHAUST HAZARDOUS MATERIALS, EXPLOSIVE MATERIALS OR VAPORS.

▲ **WARNING** TO REDUCE THE RISK OF FIRE, ELECTRICAL SHOCK OR INJURY TO PERSONS, OBSERVE THE FOLLOWING:

- Installation work and electrical wiring must be done by qualified person(s) in accordance with all applicable codes and standards, including fire-rated construction.
- Sufficient air is needed for proper combustion and exhausting of gases through the flue (chimney) of fuel burning equipment to prevent back-drafting. Follow the heating equipment manufacturer's guidelines and safety standards, such as those published by the National Fire Protection Association (NFPA), the American Society for Heating, Refrigeration and Air Conditioning Engineers (ASHRAE) and the local code authorities. When applicable, install any makeup (replacement) air system in accordance with local building code requirements. Visit **GEAppliances.com** for available makeup air solutions.
- When cutting or drilling into walls or ceilings, do not damage electrical wiring and other hidden utilities.
- Ducted systems must always be vented to the outdoors.
- Local codes vary. Installation of electrical connections and grounding must comply with applicable codes. In the absence of local codes, the vent should be installed in accordance with National Electrical Code ANSI/NFPA 70-1990 or latest edition.

▲ **CAUTION** To reduce risk of fire and to properly exhaust air, be sure to duct air outside — do not vent exhaust air into spaces within walls or ceilings or into attics, crawl spaces or garages.

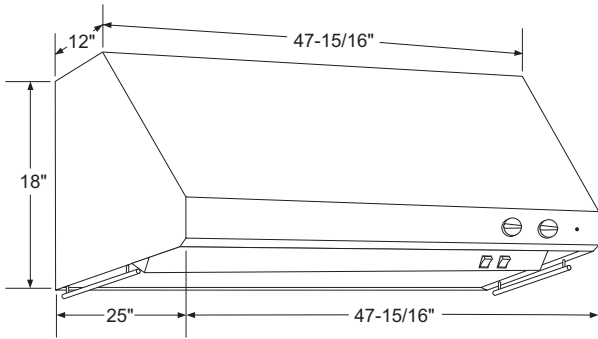
## READ AND SAVE THESE INSTRUCTIONS

# Installation Instructions

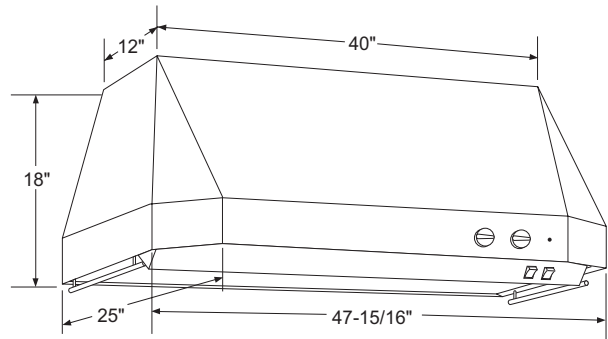
## CONTENTS

|   |   |  |    |
|---|---|--|----|
| Safety Information .....                                      | 2 | Parts Provided .....                                 | 9  |
| Product Dimensions .....                                      | 3 | Step 1, Determine Ductwork and Wiring Locations .... | 10 |
| Installation Clearances .....                                 | 4 | Step 2A, Install Hood Onto Wall .....                | 11 |
| Optional Duct Cover Accessories .....                         | 4 | Step 2B, Install Hood Beneath Soffit.....            | 12 |
| Determine Installation Height,<br>Duct Cover Accessories..... | 5 | Step 3, Connect Ductwork .....                       | 13 |
| Advance Planning .....  | 6 | Step 4, Connect Electrical.....                      | 13 |
| Power Supply .....  | 6 | Step 5, Install Duct Covers.....                     | 13 |
| Duct Fittings .....   | 7 | Step 6, Install Motor .....                          | 13 |
| Tools and Materials Required .....                            | 8 | Step 7, Install Filters.....                         | 14 |
| Remove the Packaging .....                                    | 8 | Step 8, Install Implement Rods .....                 | 14 |

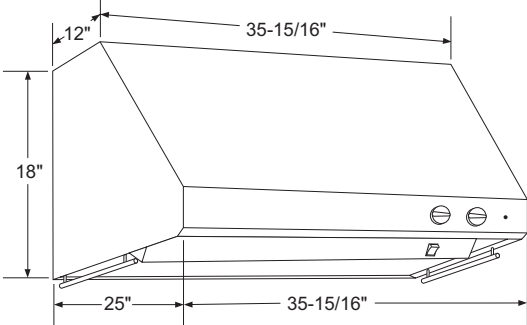
## PRODUCT DIMENSIONS



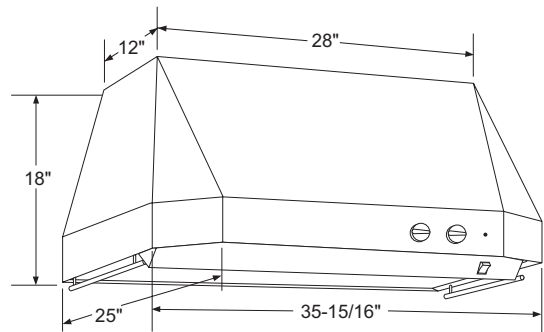
Model ZV48S With Straight Sides



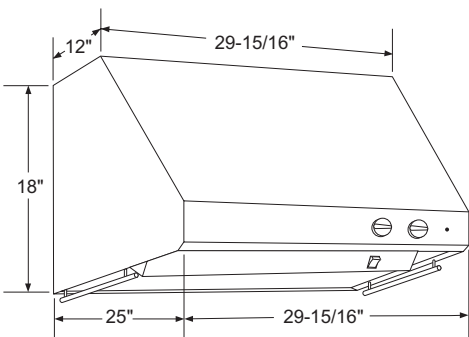
Model ZV48T With Tapered Sides



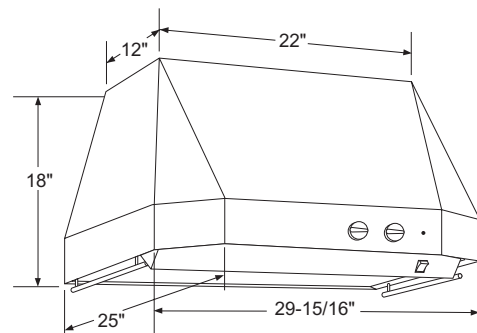
Model ZV36S With Straight Sides



Model ZV36T With Tapered Sides



Model ZV30S With Straight Sides



Model ZV30T With Tapered Sides

1" = 2.5 cm; 1' = 0.3 m

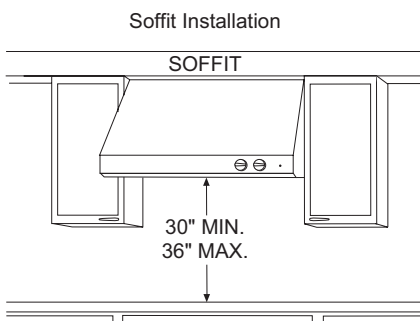
# Advance Planning

## INSTALLATION CLEARANCES

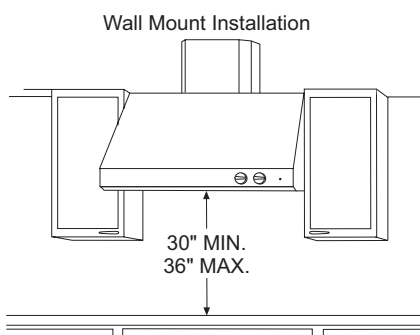
These vent hoods are designed to be installed onto a wall or beneath a soffit or cabinet.

- Install these hoods\* 30" Min. to 36" Max. above the cooking surface.
- These hoods may be installed 24" min. above a gas or electric drop-in style cooktop. Always observe the 30" to 36" clearance when installed over any professional style cooktop or range.

**NOTE:** Clearances may vary due to type of cooking product and local codes. Check with local inspectors to be sure standard is applicable.



In this installation the ductwork running from the top of the hood will be concealed in the soffit or upper cabinetry.



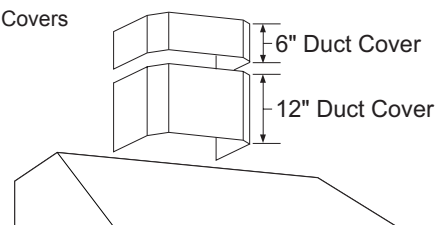
For this installation, a decorative duct cover is available to conceal the ductwork running from the top of the hood. Use of the duct cover requires special consideration to the installation height above the countertop.

## OPTIONAL DUCT COVER ACCESSORIES

Standard decorative duct covers are available in 6" and 12" heights. Duct covers may be stacked, in various combinations, to conceal the ductwork running from the top of the hood to the ceiling.

- Before you begin, you should determine the installation height of the hood and order the correct size duct cover. The duct covers should be ordered at the same time as the vent hood and be on site before installation. Order the duct cover corresponding to your model.

Standard Duct Covers



### 6" Duct Covers

| Hood Model   | 6" Duct Cover | Dimensions                  |
|--------------|---------------|-----------------------------|
| ZV48T, ZV48S | ZX48DC6       | 6"H x 19-11/16"W x 11-7/8"D |
| ZV36T, ZV36S | ZX36DC6       | 6"H x 15-3/4"W x 11-7/8"D   |
| ZV30T, ZV30S | ZX36DC6       | 6"H x 15-3/4"W x 11-7/8"D   |

### 12" Duct Covers

| Hood Model   | 12" Duct Cover | Dimensions                   |
|--------------|----------------|------------------------------|
| ZV48T, ZV48S | ZX48DC12       | 12"H x 19-11/16"W x 11-7/8"D |
| ZV36T, ZV36S | ZX36DC12       | 12"H x 15-3/4"W x 11-7/8"D   |
| ZV30T, ZV30S | ZX36DC12       | 12"H x 15-3/4"W x 11-7/8"D   |

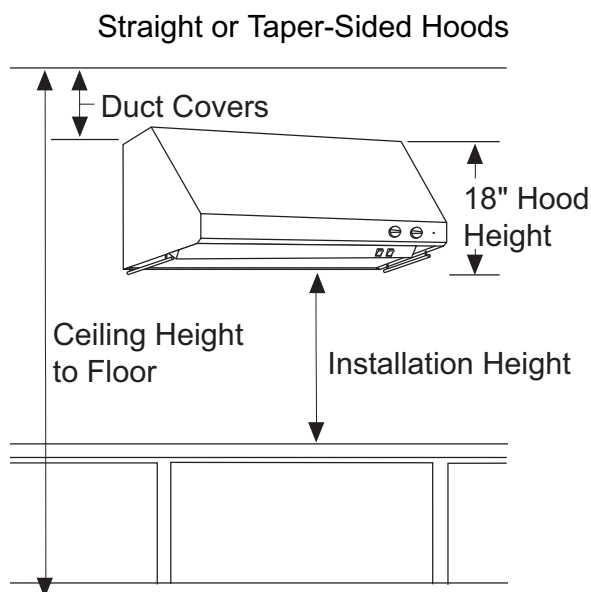
1" = 2.5 cm; 1' = 0.3 m

# Advance Planning

## DETERMINE INSTALLATION HEIGHT, DUCT COVER ACCESSORIES

These vent hoods must be installed 30" min. to 36" max. above the standard 36" high cooking surface. When installed with the warming shelf, allow 32" min. to 38" max. clearance. The exact hood installation height is determined by the ceiling height.

1. Measure the exact ceiling height.
2. Review the chart at right to determine the range of possible hood installation heights that can be accomplished with one or more duct covers.
3. Increase or decrease hood installation height to accommodate the fixed 6" or 12" duct covers.
4. Duct covers may be stacked, in various combinations, to reach ceiling heights.



**NOTE:** Minimum ceiling height for REAR WALL EXHAUST with duct covers is 8'4" when installing at 30" above countertop using 10" elbow

| Actual Ceiling Height | *Possible Hood Installation Height | 6" Duct Covers | 12" Duct Covers |
|-----------------------|------------------------------------|----------------|-----------------|
| 7' 11"                | 35"                                | 1              |                 |
| 8' 0"                 | 30"                                |                | 1               |
| 8' 0"                 | 36"                                | 1              |                 |
| 8' 1"                 | 31"                                |                | 1               |
| 8' 2"                 | 32"                                |                | 1               |
| 8' 4"                 | 33"                                |                | 1               |
| 8' 4"                 | 34"                                |                | 1               |
| 8' 5"                 | 35"                                |                | 1               |
| 8' 6"                 | 30"                                | 1              | 1               |
| 8' 6"                 | 36"                                |                | 1               |
| 8' 7"                 | 31"                                | 1              | 1               |
| 8' 8"                 | 32"                                | 1              | 1               |
| 8' 9"                 | 33"                                | 1              | 1               |
| 8' 10"                | 34"                                | 1              | 1               |
| 8' 11"                | 35"                                | 1              | 1               |
| 9' 0"                 | 30"                                |                | 2               |
| 9' 0"                 | 36"                                | 1              | 1               |
| 9' 1"                 | 31"                                |                | 2               |
| 9' 2"                 | 32"                                |                | 2               |
| 9' 3"                 | 33"                                |                | 2               |
| 9' 4"                 | 34"                                |                | 2               |
| 9' 5"                 | 35"                                |                | 2               |
| 9' 6"                 | 30"                                |                | 2               |
| 9' 6"                 | 36"                                | 1              | 1               |
| 9' 7"                 | 31"                                | 1              | 2               |
| 9' 8"                 | 32"                                | 1              | 2               |
| 9' 9"                 | 33"                                | 1              | 2               |
| 9' 10"                | 34"                                | 1              | 2               |
| 9' 11"                | 35"                                | 1              | 2               |
| 10' 0"                | 30"                                |                | 3               |
| 10' 0"                | 36"                                | 1              | 2               |
| 10' 1"                | 31"                                |                | 3               |
| 10' 2"                | 32"                                |                | 3               |
| 10' 3"                | 33"                                |                | 3               |
| 10' 4"                | 34"                                |                | 3               |

\*Based on 36" countertop height.

**NOTE:** Additional duct covers may be used to reach higher ceilings.

# Advance Planning

## ADVANCE PLANNING

### Ductwork Planning

- These vent hoods are equipped for 10" round ductwork. For best performance, use 10" round ductwork on the 48" wide hoods. 30" and 36" hoods may be transitioned to 8" round.
- This hood may be vented vertically through upper cabinets, soffit or ceiling. A duct transition piece is supplied for vertical exhaust. Use locally supplied elbows to vent horizontally through the rear wall.
- Determine the exact location of the vent hood.
- Plan the route for venting exhaust to the outdoors.
- Use the shortest and straightest duct route possible. For satisfactory performance, duct run should not exceed 150 ft. equivalent length for any duct configurations.
- Refer to "Duct Fittings" chart to compute the maximum permissible length for duct runs to the outdoors.
- Use metal ductwork only.
- Install a wall cap or roof cap with damper at the exterior opening. Order the wall or roof cap and any transition needed in advance.
- When applicable, install any makeup (replacement) air system in accordance with local building code requirements. Visit [GEAppliances.com](http://GEAppliances.com) for available makeup air solutions.

### Wall Framing for Adequate Support

- These vent hoods are heavy. Adequate structural support must be provided. Hoods must be secured to vertical studs in the wall.
- It is strongly recommend that the vent hood with duct cover be on site before final framing and wall finishing. This will also help to accurately locate the ductwork and electrical service.

### Decorative Duct Covers

Decorative duct covers, 6" and 12" high, are available to fit all models. The duct cover conceals the ductwork running from the top of the hood to the ceiling or soffit. Stack one or more duct covers over the top of the hood to reach your ceiling height.

## POWER SUPPLY

### IMPORTANT - (Please read carefully)

**⚠ WARNING** FOR PERSONAL SAFETY, THIS APPLIANCE MUST BE PROPERLY GROUNDED.

Remove house fuse or open circuit breaker before beginning installation.

Do not use an extension cord or adapter plug with this appliance. Follow National electrical codes or prevailing local codes and ordinances.

### Electrical supply

These vent hoods must be supplied with 120V, 60Hz, and connected to an individual, properly grounded branch circuit, and protected by a 15 or 20 amp circuit breaker or time delay fuse.

- Wiring must be 2 wire with ground.
- If the electrical supply does not meet the above requirements, call a licensed electrician before proceeding.
- Route house wiring as close to the installation location as possible on the back wall or ceiling.
- Connect the wiring to the house wiring in accordance with local codes.

### Grounding instructions

The grounding conductor must be connected to a ground metal, permanent wiring system, or an equipment-grounding terminal or lead on the hood.

**⚠ WARNING** The improper connection of the equipment-grounding conductor can result in a risk of electric shock. Check with a qualified electrician or service representative if you are in doubt whether the appliance is properly grounded.

# Advance Planning

## DUCT FITTINGS

### Hoods Are Equipped For 10" Round Duct

Use this chart to compute maximum permissible lengths for duct runs to outdoors.

**NOTE:** Do not exceed maximum permissible equivalent lengths!



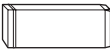


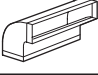
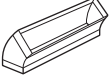

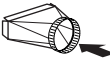
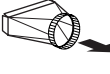
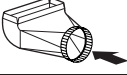
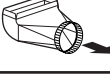
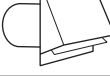


**Maximum recommended duct length for these hoods: 150 feet**

#### Flexible ducting:

If flexible metal ducting is used, all the equivalent feet values in the table should be doubled. The flexible metal duct should be straight and smooth and extended as much as possible.

DO NOT use flexible plastic ducting.

**NOTE:** Any home ventilation system, such as a ventilation hood, may interrupt the proper flow of combustion air and exhaust required by fireplaces, gas furnaces, gas water heaters and other naturally vented systems. To minimize the chance of interruption of such naturally vented systems, follow the heating equipment manufacturer's guidelines and safety standards such as those published by NFPA and ASHRAE. When applicable, install any makeup (replacement) air system in accordance with local building code requirements. Visit [GEAppliances.com](http://GEAppliances.com) for available makeup air solutions.

| Duct Piece  | Dimensions  | Equivalent Length*                | Quantity Used | Total Equivalent Length |
|---|---|-----------------------------------|---------------|-------------------------|
|    | 10" round to 8" round   | 5 ft.                             |               |                         |
|    | Round, straight   | 1 ft.<br>(per foot length)        |               |                         |
|    | 3-1/4" x 10"<br>3-1/4" x 12" straight                             | 1 ft.<br>(per foot length)        |               |                         |
|    | 90° elbow   | 8" Dia. 17 ft.<br>10" Dia. 24 ft. |               |                         |
|    | 45° elbow   | 8" Dia. 10 ft.<br>10" Dia. 14 ft. |               |                         |
|    | 3-1/4" x 12"<br>3-1/4" x 10"<br>90° elbow                         | 15 ft.<br>14 ft.                  |               |                         |
|    | 3-1/4" x 10"<br>3-1/4" x 12"<br>45° elbow                         | 8 ft.<br>9 ft.                    |               |                         |
|   | 3-1/4" x 10"<br>3-1/4" x 12"<br>90° flat elbow                    | 33 ft.<br>36 ft.                  |               |                         |
|  | 10" round transition<br>to 3-1/4" x 10" or<br>3-1/4" x 12"        | 9 ft.                             |               |                         |
|  | 3-1/4" x 10" or<br>3-1/4" x 12" to<br>10" round transition        | 6 ft.                             |               |                         |
|  | 10" round to 3-1/4" x 10"<br>3-1/4" x 12" transition<br>90° elbow | 16 ft.<br>13 ft.                  |               |                         |
|  | 3-1/4" x 10"<br>3-1/4" x 12" to 10" round<br>transition 90° elbow | 9 ft.<br>8 ft.                    |               |                         |
|  | Round wall cap<br>with damper                                     | 8" Dia. 32 ft.<br>10" Dia. 41 ft. |               |                         |
|  | 3-1/4" x 10"<br>3-1/4" x 12" wall cap<br>with damper              | 24 ft.<br>26 ft.                  |               |                         |
|  | Round roof cap  | 8" Dia. 44 ft.<br>10" Dia. 56 ft. |               |                         |

\*Hoods are supplied with a 10" round transition. A locally supplied transition is required for other sizes.

**NOTE:** Outlet on top of hood is 8-1/8" x 8".

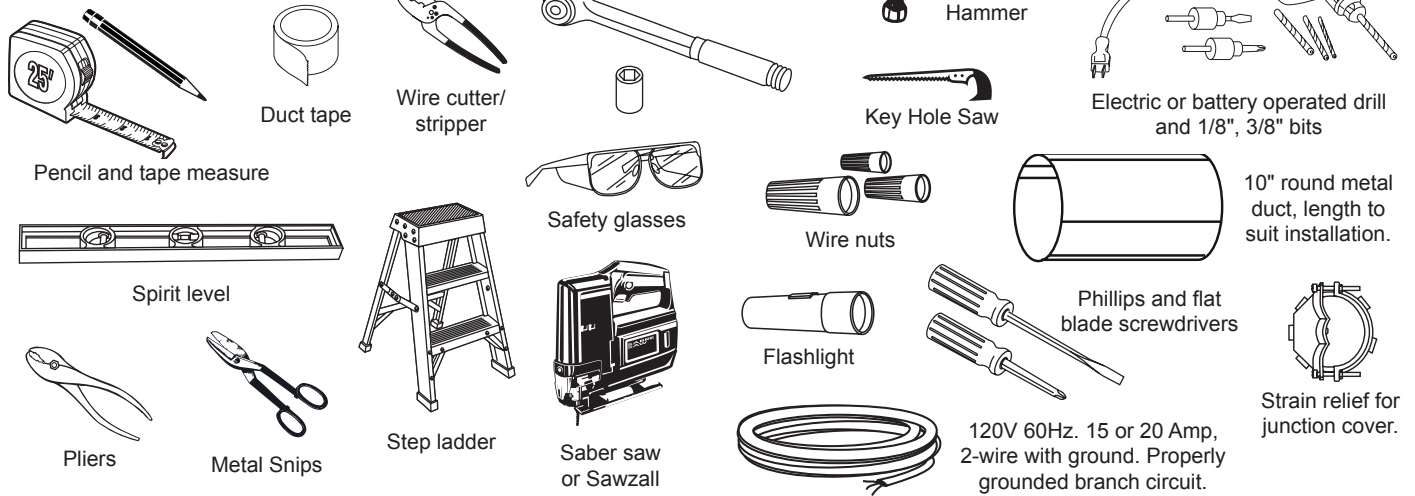
\*Actual length of straight duct plus duct fitting equivalent. Equivalent length of duct pieces are based on actual tests conducted by GE Appliances Evaluation Engineering and reflect requirements for good venting performance with any ventilation hood.

Total Duct Run \_\_\_\_\_

# Installation Preparation

## TOOLS AND MATERIALS REQUIRED

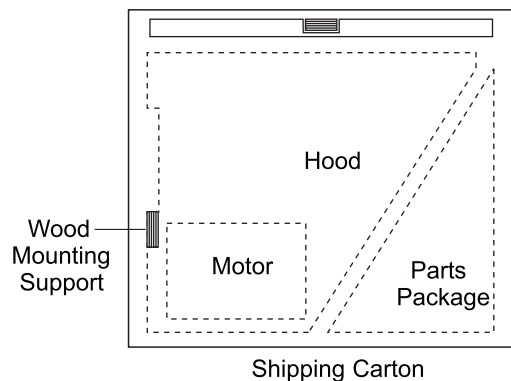
(NOT SUPPLIED)



## REMOVE THE PACKAGING

- Lift out the wooden crossmember, as well as the top protective carton.
- Lift out the four "L" shaped polystyrene protection profiles.
- Remove the protection moldings around the smaller carton box.
- Remove the small box housing the motor.
- Lift the hood out of the box.

**CAUTION** Lift the hood by grasping the outside edges of the inlet opening of the hood. **Do not lift the hood by the exhaust opening divider—damage will occur!**



- Remove the shipping screws holding the wood mounting piece to the back side of the hood. **Set aside the wood mounting piece and screws for later installation. Do not discard.**
- Remove the "V" shaped carton insert.
- Remove the parts package from the "V" shaped cardboard insert.
- Remove the junction box cover and knockout.
- Install the strain relief onto the back or top of the hood.
- Remove all tape and packing material from the hood, duct transition and motor.

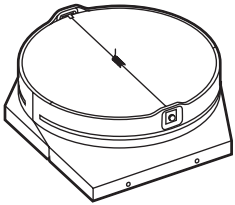
1" = 2.5 cm; 1' = 0.3 m



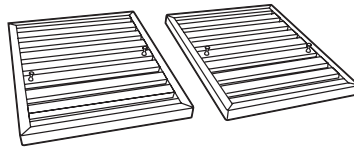
# Installation Preparation

## PARTS PROVIDED

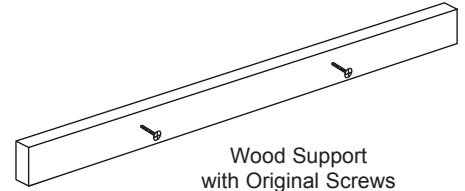
Locate the parts packed with the hood.



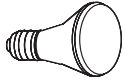
Duct Transition with Damper



2 Stainless Steel Grease Filters  
(3 filters with 48" models)



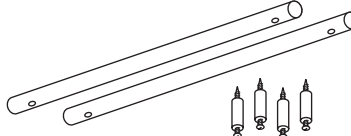
Wood Support with Original Screws



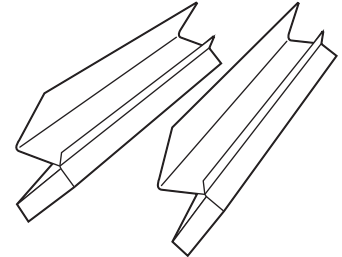
Heat Lamp  
(2 with 48" models)



Allen Wrench  
For Implement Rods



2 Implement Rods and 4 Stand-offs



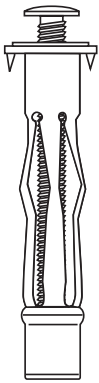
2 Grease Filter Trays  
(3 supports with 48" models.)

## HARDWARE PACKAGE

Locate and check contents. Screws shown actual size.



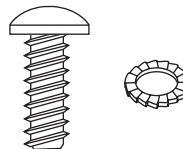
4 Phillips head screws to secure the transition to the hood outlet on the top



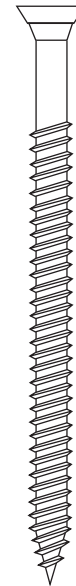
2 (3/16") hollow wall anchors with screws to secure hood to the wall at the bottom



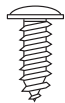
2 flat washers for wall anchors



1 safety screw and lock washer, to secure the blower: (screw is marked with red or blue paint)



4 screws to secure the wood support to the wall  
POZIDRIV 3



6 Phillips head screws to secure hood to the wood support: (2 secured to wood support)

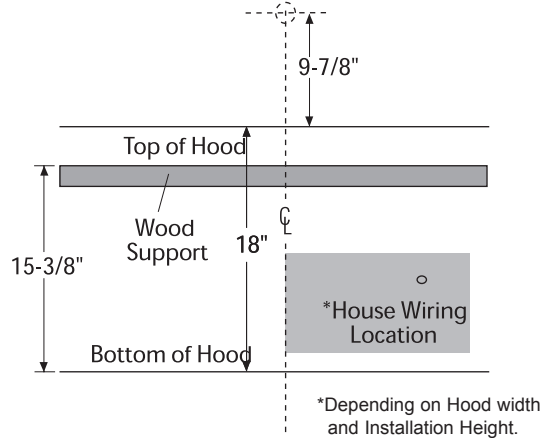
# Installation Instructions

## 1 DETERMINE HOOD, DUCTWORK AND WIRING LOCATIONS

- Use a level to draw the cooktop centerline location. Draw the line to ceiling height.
- Measure desired distance from the bottom of the hood to the cooking surface, 30" min. to 36" max.

**NOTE:** If you are installing the hood with duct covers, be sure to read "Optional duct cover accessories" section found on page 4. Exact installation height may be determined by use of one or more duct covers.

- Use a level to draw a straight horizontal pencil line indicating the bottom of the hood.
- From the line indicating the bottom of the hood, measure 15-3/8" up and draw another line for the location of the wood support. See illustration.



### FOR VERTICAL (Straight Up) DUCTING

- Use a level to draw a centerline from the bottom of the hood to ceiling or soffit.
- If venting out the ceiling, extend the centerline forward on the ceiling or soffit.
- Locate the centerline of a 10-1/2" hole on the ceiling or soffit by measuring 6" from the wall.

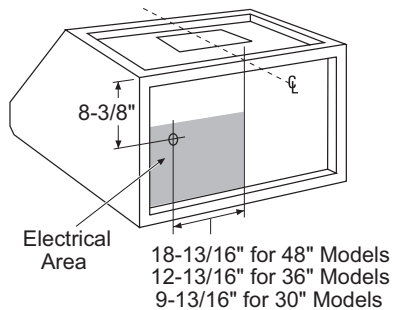
### FOR DUCTING THROUGH REAR WALL

- Measure 9-7/8" above the marked line for the top of the hood. At the centerline, mark location for a 10-1/2" diameter hole.

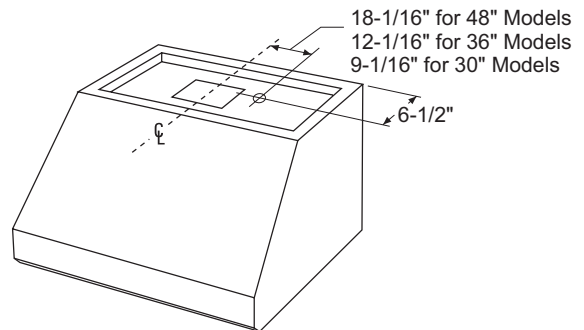
**NOTE:** Minimum ceiling height for REAR WALL EXHAUST with duct covers is 8'4" when installing at 30" above countertop using 10" elbow.

### House Wiring Location

- The junction box is fastened to the back of the hood on the right side.



- The recessed back side of the hood provides a large area for the house wiring to exit the wall and be routed to the rear knockout and junction box.
- The location for the house wiring depends on the installation height of the hood and the width of the hood.
- Remove junction box cover and knockout. Install strain relief.



### Alternate Knockout Locations

If the installation requires, the junction box can be relocated from the back to the top of the hood. Remove 3 screws, align box to top knockout and secure with original screws.

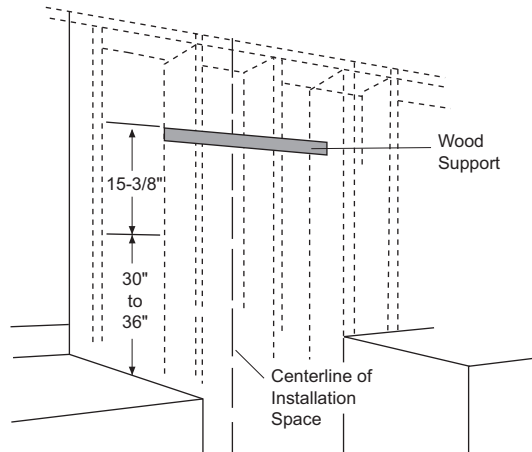
- Remove junction box cover and knockout. Install strain relief.

# Installation Instructions

## 2A INSTALL HOOD ONTO WALL

**SKIP THIS STEP IF INSTALLING BENEATH A SOFFIT OR CABINET, GO TO STEP 2B.**

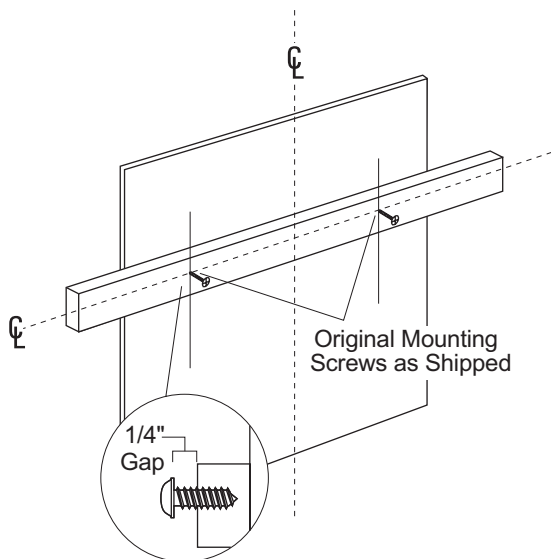
- Locate at least 2 vertical studs at the wood support.
- Center the supplied wood support, left to right and below the 15-3/8" marked line.



- Secure the wood support to 2 or more vertical studs, using at least 2 of the 4 supplied long screws.

**IMPORTANT:** Screws must penetrate at least 1-1/2" into vertical studs. Countersink screws into support.

**NOTE:** The mounting screws must remain in their original shipping location. These screws are positioned to engage the keyhole slots in the back of the hood.

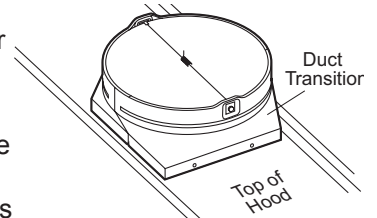


- Adjust depth of original mounting screws in the wood support until they protrude 1/4" forward. This 1/4" gap will provide clearance to hang the hood.

**IMPORTANT:** Framing must be capable of supporting up to 150 lbs.

### Install Transition Onto Top of Hood

**IMPORTANT:** Remove shipping tape from damper and check that damper moves freely.



- Place the transition piece over the hood exhaust and secure with 4 screws provided.

- Use duct tape to seal the connection. Check to be sure the damper moves freely.

### Hang Hood On Wood Support

- Lift the hood and hold close to the installation location. Route house wiring through the knockout and into the junction box.

- Place the hood over the wood support. Be sure the mounting screws engage the keyhole slots in the back of the hood. Tighten the screws.

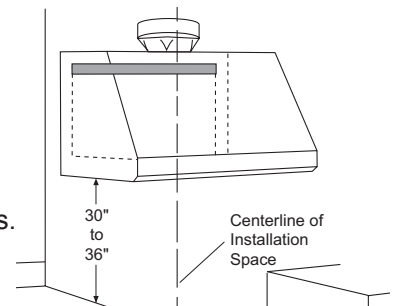
### ⚠ WARNING

Continue to provide additional support while the hood is mounted with only these 2 screws. These screws will not support the weight of the hood. The hood could fall resulting in damage or personal injury.

- Check to be sure the hood is level and centered.

### Test Duct Cover Fit

- Place duct cover(s) over the top of the hood to check for gaps. Adjust the hood up or down if necessary.



### Install Bottom Mounting Screws

- Drill 1/8" pilot holes into the two lower mounting holes. Enlarge the holes if they did not enter studs to 3/8". Insert anchors for wall fasteners into bottom holes. Remove anchor screws and add flat washers provided. Drive screws into anchors and tighten.
- Install 4 additional screws through the back of the hood and into the wood support.

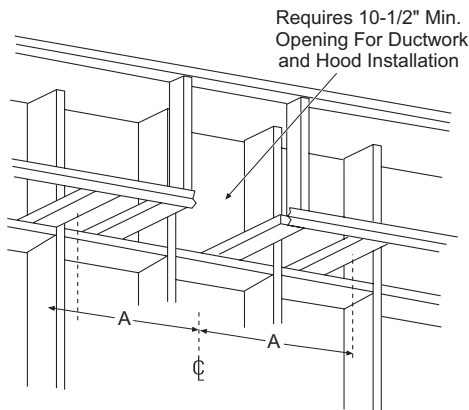
# Installation Instructions

## 2B Alternate Mounting Method INSTALL HOOD TO SOFFIT OR BENEATH CABINETS

### SKIP THIS STEP IF USING WALL MOUNTING METHOD

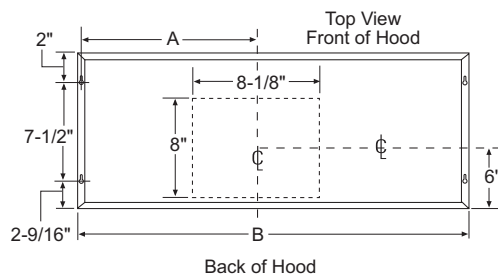
When necessary, the hood may be installed so that it is supported by the soffit.

- The soffit should be constructed with 2 x 4's.
- Determine the installation location on the wall.
- Continue the centerline forward on the bottom of the cabinet or soffit.
- The opening above the hood should allow for the 10" round duct and clearance to slide the hood back against the wall.



- The 2 x 4 studs must be located as shown in the chart, Dim. A. to accept mounting screws.

|       | "A" Centerline to Stud and Keyhole Slots | "B" Hood Width At the Top |
|-------|--|---------------------------|
| ZV48T | 19-9/16"                                 | 40"                       |
| ZV48S | 23-9/16"                                 | 47-15/16"                 |
| ZV36T | 13-9/16"                                 | 28"                       |
| ZV36S | 17-9/16"                                 | 35-15/16"                 |
| ZV30T | 10-9/16"                                 | 22"                       |
| ZV30S | 14-9/16"                                 | 29-15/16"                 |

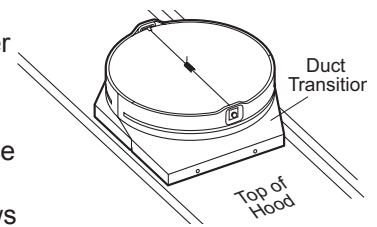


- Drill 1/8" pilot holes into the studs at the locations shown in the top view illustration.

**IMPORTANT:** Soffit framing must be capable of supporting up to 150 lbs.

### Install Transition Onto Top of Hood

**IMPORTANT:** Remove shipping tape from damper and check that damper moves freely.

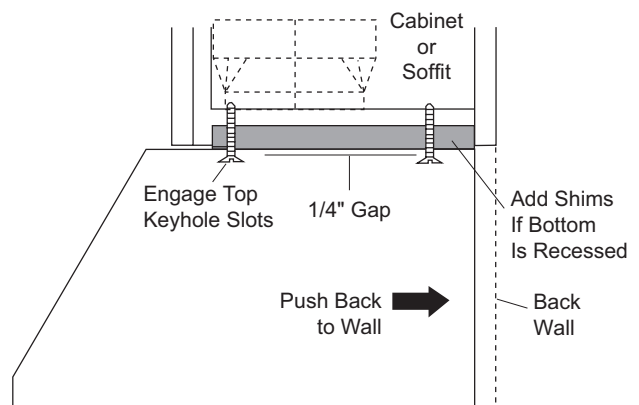


- Place the transition piece over the hood exhaust and secure with 4 screws provided.

- Use duct tape to seal the connection. Check to be sure the damper moves freely.

### Mount Hood onto Soffit or Cabinet

**NOTE:** If mounting to the underside of a cabinet with a recessed bottom, install shims to fill the gap.



- Drive mounting screws into the studs until they protrude 1/4". The 1/4" gap will provide clearance to engage the keyhole slots in the top of the hood.
- Lift hood to installation position. Locate house wiring and route through the knockout (from the back or top of the hood).
- Lift hood onto mounting screws. Slide back against the rear wall.
- Tighten mounting screws.

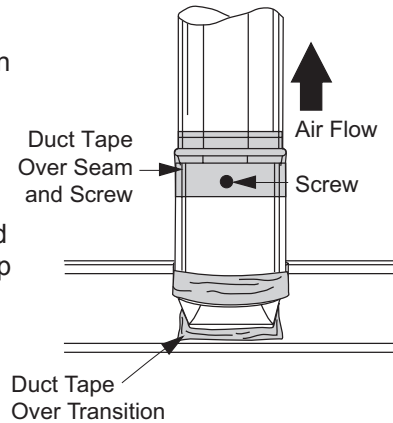
**IMPORTANT:** For additional support and to minimize vibration during operation, the hood must be secured to the back wall. Use wall anchors to fasten bottom back of hood to the wall.

1" = 2.5 cm; 1' = 0.3 m

# Installation Instructions

## 3 CONNECT DUCTWORK

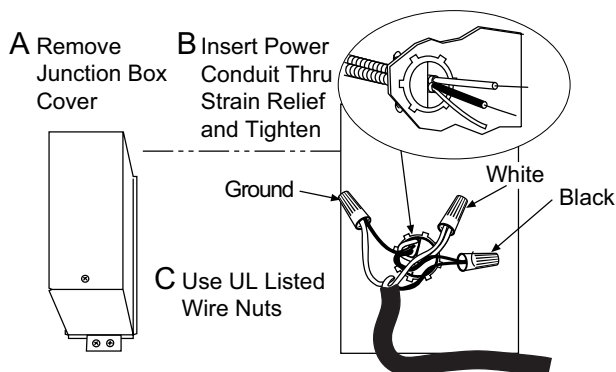
- Install ductwork, making connections in direction of airflow as illustrated.
- Secure joints in ductwork with sheetmetal screws.
- Wrap all duct joints with duct tape for an airtight seal.
- Use duct tape to seal the flange connection. Reach inside the hood and push the damper up to be sure it moves freely.



## 4 CONNECT ELECTRICAL

Verify that power is turned off at the source.

**▲WARNING** If house wiring is not 2-wire with a ground wire, a ground must be provided by the installer. When house wiring is aluminum, be sure to use U.L. approved anti-oxidant compound and aluminum-to-copper connectors.



- Use wire nuts to connect incoming ground to green, white to white and black to black.
- Push wires into junction box and replace cover. Be sure wires are not pinched.

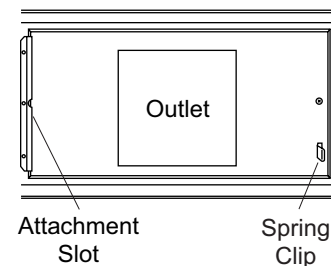
## 5 INSTALL DUCT COVERS

**NOTE:** For easier handling, remove cardboard insert after film is peeled off.

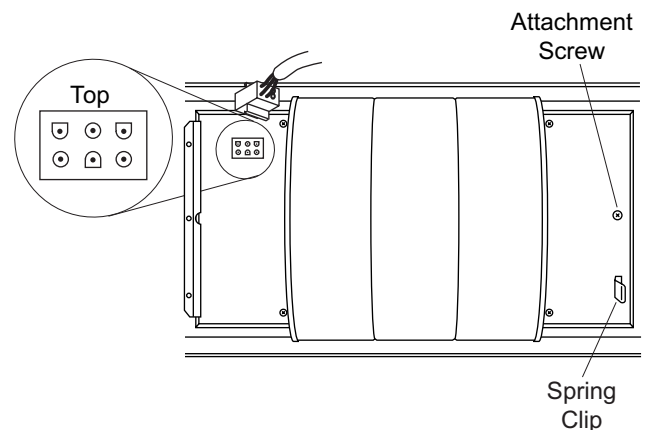
Remove protective film from duct covers. If more than one duct cover is used, secure each piece together with screws provided.

- Place the duct cover(s) on top of the hood.
- From inside the hood, secure the duct cover to the top with the small Phillips head screws supplied with the covers.

## 6 INSTALL MOTOR



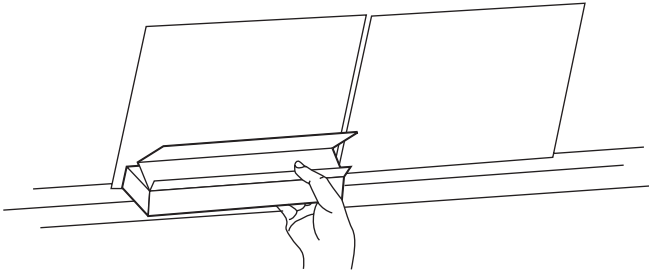
- From the inside of the hood, slip motor into the attachment slot on the left.
- Rotate motor upwards until it snaps into the spring clip on the right.
- Secure the motor to the hood with the machine screw and lock washer. (Screw is marked with red or blue paint.)
- Plug connector into the motor.



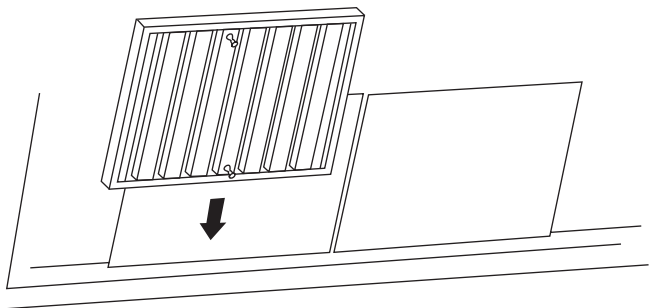
**IMPORTANT:** Connector ends are designed to mate only one way. Match flat and round connectors as shown.

# Installation Instructions

## 7 INSTALL FILTERS

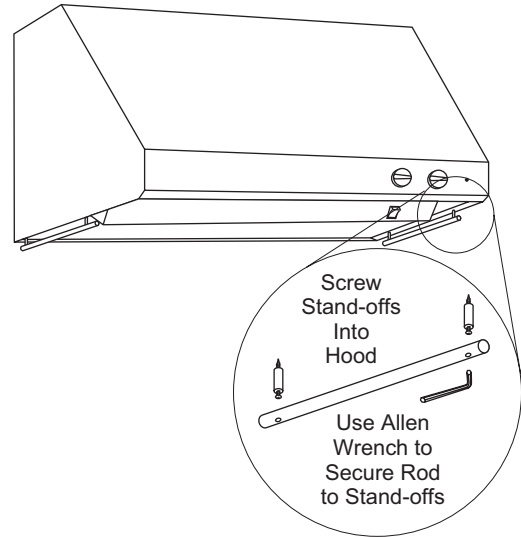


- Place filter drip trays into the rear of the hood.



- Insert the grease filter into the opening and drop into the trays.
- To remove the filters, grasp the handle, push the filter up and lift out.

## 8 INSTALL IMPLEMENT RODS



- Use a flat blade screwdriver to install the stand-offs into the bottom of the hood.
- Align the implement rod to the stand-offs with the screw hole towards the inside of the hood. Secure the rod to the stand-offs with the supplied Allen wrench.
- Follow the same procedure on the opposite side.

## FINALIZE INSTALLATION

- Install the supplied infrared bulb(s).
- See the Owner's Manual for instructions to test operation.

# Notes

---

**NOTE:** While performing installations described in this book, safety glasses or goggles should be worn.

For Monogram® local service in your area, call 1.800.444.1845.

**NOTE:** Product improvement is a continuing endeavor at GE Appliances. Therefore, materials, appearance and specifications are subject to change without notice.



# INSTRUCTIONS D'INSTALLATION

Hottes professionnelles de 30 po,  
36 po et 48 po

**MONOGRAM**

TOUT ÉLEVER

# Consignes de sécurité

## AVANT DE COMMENCER

Lisez attentivement toutes ces instructions.

- **IMPORTANT** – Conservez ces instructions pour l'inspecteur local.
- **IMPORTANT** – Respectez tous les codes et règlements en vigueur.
- **Remarque destinée à l'installateur** – Assurez-vous de laisser ces instructions au consommateur.
- **Remarque destinée au consommateur** – Conservez ces instructions avec votre Manuel de l'utilisateur pour vous y reporter ultérieurement.
- **Niveau de compétence** – L'installation de cet appareil nécessite des compétences de base en mécanique et en électricité.
- **Durée de l'installation** – 1 à 3 heures
- L'installateur est responsable de la qualité de l'installation. La panne du produit due à une mauvaise installation n'est pas couverte par la garantie.
- Pour le service à la clientèle Monogram dans votre région, appelez le 1-800-444-1845.
- Pour le service à la clientèle Monogram au Canada, appelez le 1-800-561-3344.
- Pour les pièces et accessoires Monogram, appelez le 1-800-626-2002.

**ATTENTION** Compte tenu du poids et de la dimension de ces hottes, et afin de réduire les risques de blessure et pour ne pas endommager le produit, **LEUR INSTALLATION DOIT ÊTRE EFFECTUÉE PAR DEUX PERSONNES.**

**AVERTISSEMENT** Pour réduire les risques d'incendie ou de décharge électrique, n'utilisez pas cette hotte de cuisinière avec un dispositif de contrôle de vitesse à semi-conducteurs externe. Toute modification de ce type au câblage d'origine de l'usine pourrait endommager l'appareil et/ou créer un risque pour la sécurité électrique. **POUR RÉDUIRE LES RISQUES D'INCENDIE, UTILISEZ UNIQUEMENT DES CONDUITS MÉTALLIQUES.**

**AVERTISSEMENT** POUR DIMINUER LES RISQUES D'INCENDIE, DE DÉCHARGE ÉLECTRIQUE OU DE BLESSURES, SUIVEZ LES CONSIGNES SUIVANTES :

- A. Cet appareil doit uniquement être utilisé aux fins prévues par son fabricant. Si vous avez des questions, contactez le fabricant.
- B. Avant de réparer ou de nettoyer l'appareil, coupez l'alimentation au tableau de distribution et bloquez le disjoncteur pour éviter que le courant ne soit accidentellement rétabli. S'il n'est pas possible de bloquer le disjoncteur, posez un avertissement bien visible, comme une étiquette, sur le tableau de distribution.

**ATTENTION** POUR UNE UTILISATION DE VENTILATION GÉNÉRALE UNIQUEMENT. NE PAS UTILISER POUR ÉVACUER DES MATIÈRES DANGEREUSES, DES MATIÈRES EXPLOSIVES OU DES VAPEURS.

**AVERTISSEMENT** POUR DIMINUER LES RISQUES D'INCENDIE, DE DÉCHARGE ÉLECTRIQUE OU DE BLESSURES, SUIVEZ LES CONSIGNES SUIVANTES :

- L'installation et le câblage électrique doivent être effectués par une personne qualifiée et conformément à tous les codes et toutes les normes applicables, incluant les règlements concernant les constructions classées résistantes au feu.
- Une quantité d'air suffisante est nécessaire à une combustion et à une évacuation appropriées des gaz par le conduit d'évacuation (cheminée) de l'équipement à combustible pour éviter tout refoulement. Suivez les instructions et normes de sécurité du fabricant de l'appareil chauffant, comme celles publiées par la National Fire Protection Association (NFPA), l'American Society for Heating, Refrigeration and Air Conditioning Engineers (ASHRAE) et les autorités locales. Le cas échéant, installez un système d'air d'appoint (de remplacement) conformément aux exigences du code du bâtiment local. Visitez le site [electromenagersge.ca](http://electromenagersge.ca) pour connaître les solutions d'air d'appoint offertes.
- Lorsque vous effectuez des découpes ou que vous percez dans des murs ou des plafonds, n'endommagez pas le câblage électrique ou les installations des services publics.
- Les systèmes qui disposent de conduits d'aération doivent toujours être évacués vers l'extérieur.
- Les codes locaux peuvent varier. L'installation, les connexions électriques et la mise à la terre doivent se conformer aux codes applicables. En l'absence de codes locaux, la hotte doit être installée conformément au Code national de l'électricité ANSI/NFPA 70-1990 ou à la dernière édition.

**ATTENTION** Pour réduire les risques d'incendie et permettre une évacuation de l'air vers l'extérieur adéquate, assurez-vous d'acheminer les conduits vers l'extérieur. N'évacuez pas l'air dans des espaces intra-muraux, dans le plafond, dans le grenier, dans un vide sanitaire ou dans le garage.

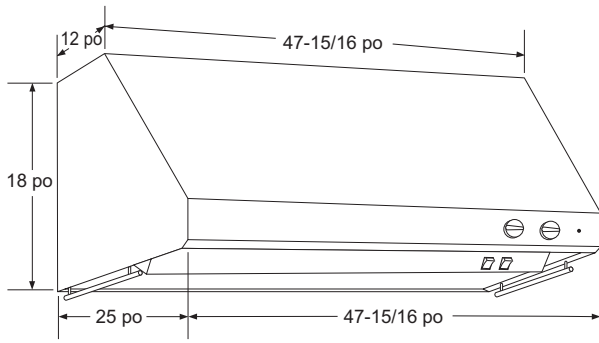
## LISEZ ET CONSERVEZ CES INSTRUCTIONS

# Instructions d'installation

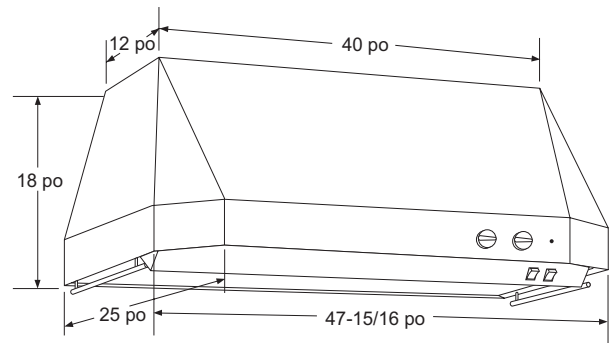
## TABLE DES MATIÈRES

|   |   |  |    |
|---|---|--|----|
| Consignes de sécurité.....                                      | 2 | Étape 1 : Déterminer les emplacements d'installation<br>des conduits et du câblage ..... | 10 |
| Dimensions du produit.....                                      | 3 | Étape 2A : Installer la hotte sur le mur.....  | 11 |
| Dégagements pour l'installation .....                           | 4 | Étape 2B : Installer la hotte sous une retombée de plafond.....                          | 12 |
| Cache-conduits en option.....                                   | 4 | Étape 3 : Raccorder le conduit.....  | 13 |
| Déterminer la hauteur d'installation et les cache-conduits..... | 5 | Étape 4 : Brancher l'appareil à l'alimentation électrique .....                          | 13 |
| Planification préliminaire .....                                | 6 | Étape 5 : Installer les cache-conduits .....   | 13 |
| Alimentation électrique .....                                   | 6 | Étape 6 : Installer le moteur .....  | 13 |
| Raccords de conduit.....  | 7 | Étape 7 : Installer les filtres.....   | 14 |
| Outils et matériel nécessaires .....                            | 8 | Étape 8 : Installer les tiges d'ustensiles .....   | 14 |
| Déballage .....   | 8 |  |    |
| Pièces fournies.....  | 9 |  |    |

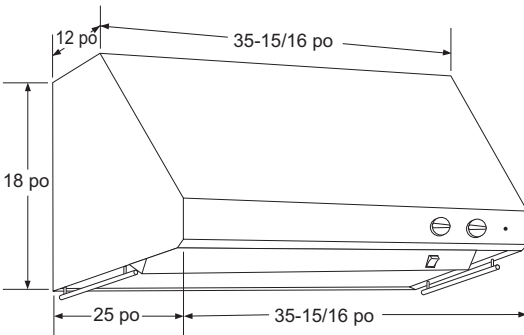
## DIMENSIONS DU PRODUIT



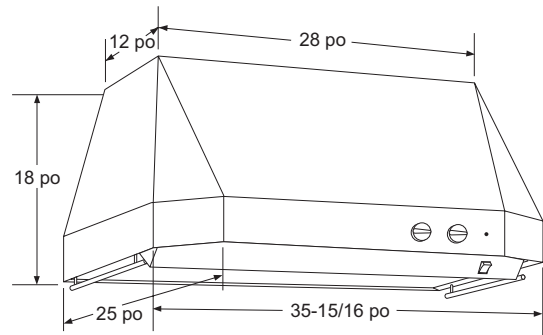
Modèle ZV48S avec côtés droits



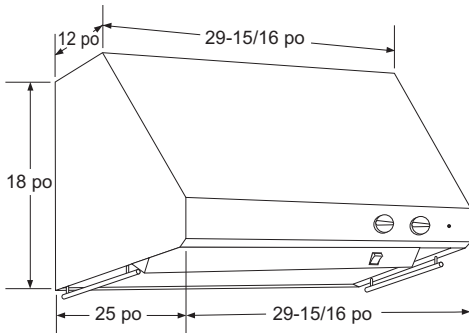
Modèle ZV48T avec côtés coniques



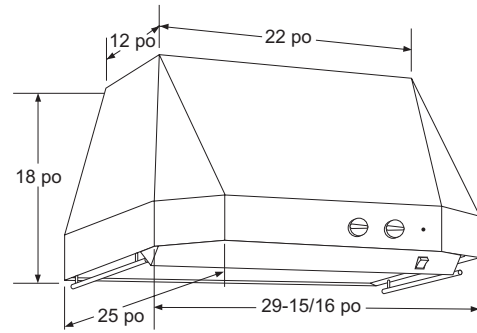
Modèle ZV36S avec côtés droits



Modèle ZV36T avec côtés coniques



Modèle ZV30S avec côtés droits



Modèle ZV30T avec côtés coniques

1 po = 2,5 cm; 1 pi = 0,3 m

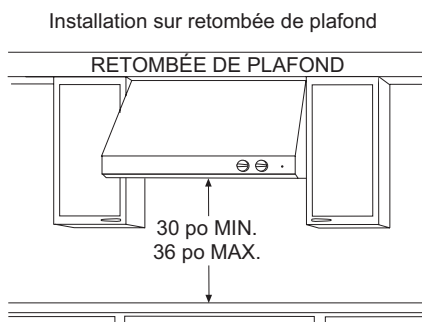
# Préparatifs

## DÉGAGEMENTS POUR L'INSTALLATION

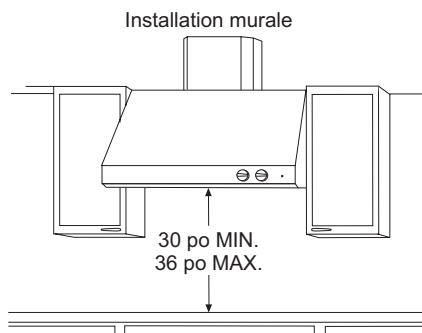
Ces hottes sont conçues pour être installées sur un mur ou sous une retombée de plafond ou une armoire.

- Installez ces hottes à au moins 30 po et à au plus 36 po de la surface de cuisson.
- Ces hottes peuvent être installées à une distance minimale de 24 po au-dessus d'une surface de cuisson au gaz ou électrique de style encastrable. Respectez toujours le dégagement de 30 à 36 po lorsqu'elles sont installées au-dessus d'une surface de cuisson ou d'une cuisinière de type professionnel.

**REMARQUE :** Les espaces de dégagement peuvent varier en fonction du type de hotte et des codes locaux. Vérifiez auprès des inspecteurs locaux pour vous assurer que la norme est applicable.



Pour cette installation, le conduit d'évacuation de la partie supérieure de la hotte sera dissimulé dans la retombée de plafond ou dans l'armoire supérieure.



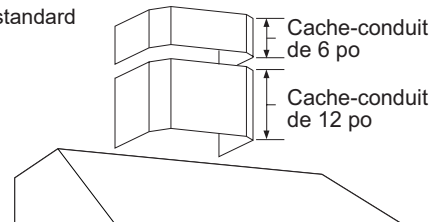
Pour cette installation, un cache-conduit décoratif permet de dissimuler le conduit d'évacuation de la partie supérieure de la hotte. L'utilisation d'un cache-conduit décoratif exige des hauteurs d'installation spécifiques au-dessus du comptoir.

## CACHE-CONDUITS EN OPTION

Les cache-conduits décoratifs standard sont disponibles en hauteurs de 6 po et 12 po. Les cache-conduits peuvent être superposés dans diverses combinaisons, pour dissimuler les conduits du haut de la hotte jusqu'au plafond.

- Avant de commencer, vous devez déterminer la hauteur d'installation de la hotte et commander le cache-conduit de la bonne grandeur. Les cache-conduits doivent être commandés en même temps que la hotte et être sur place avant l'installation. Commandez le cache-conduit correspondant au modèle de votre hotte.

Cache-conduits standard



### Cache-conduits de 6 po

| Modèle de la hotte | Cache-conduit de 6 po | Dimensions                           |
|--------------------|-----------------------|--------------------------------------|
| ZV48T,<br>ZV48S    | ZX48DC6               | H 6 po x L 19-11/16 po x P 11-7/8 po |
| ZV36T,<br>ZV36S    | ZX36DC6               | H 6 po x L 15-3/4 po x P 11-7/8 po   |
| ZV30T,<br>ZV30S    | ZX36DC6               | H 6 po x L 15-3/4 po x P 11-7/8 po   |

### Cache-conduits de 12 po

| Modèle de la hotte | Cache-conduit de 12 po | Dimensions                            |
|--------------------|------------------------|---------------------------------------|
| ZV48T,<br>ZV48S    | ZX48DC12               | H 12 po x L 19-11/16 po x P 11-7/8 po |
| ZV36T,<br>ZV36S    | ZX36DC12               | H 12 po x L 15-3/4 po x P 11-7/8 po   |
| ZV30T,<br>ZV30S    | ZX36DC12               | H 12 po x L 15-3/4 po x P 11-7/8 po   |

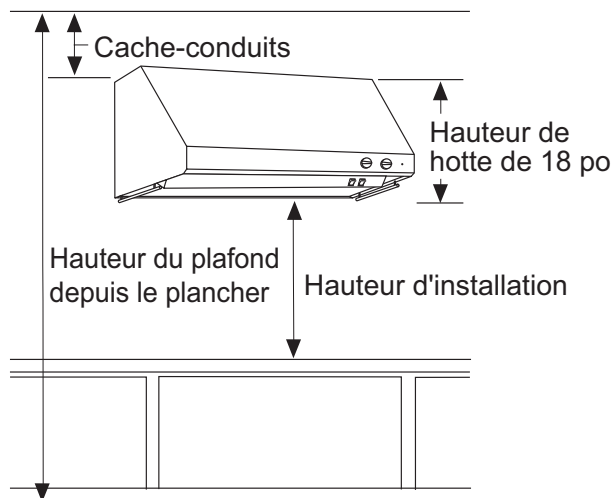
# Préparatifs

## DÉTERMINER LA HAUTEUR D'INSTALLATION ET LES CACHE-CONDUITS

Ces hottes doivent être installées à une hauteur minimale de 30 po et maximale de 36 po au-dessus de la surface de cuisson standard de 36 po de hauteur. Lorsqu'elles sont installées avec une tablette de réchaud, laissez un dégagement de 32 po min. à 38 po max. La hauteur d'installation exacte de la hotte est déterminée par la hauteur du plafond.

1. Mesurez la hauteur exacte du plafond.
2. Consultez le tableau de droite pour déterminer la plage de hauteurs d'installation de hotte possibles qui peuvent être réalisées avec un ou plusieurs cache-conduits.
3. Augmentez ou diminuez la hauteur d'installation de la hotte afin de l'adapter à des cache-conduits standard de 6 po ou 12 po.
4. Les cache-conduits peuvent être superposés dans diverses combinaisons afin d'atteindre le plafond.

Hottes avec côtés droits ou coniques



**REMARQUE :** La hauteur minimale du plafond pour une ÉVACUATION PAR LE MUR ARRIÈRE avec cache-conduits est de 8 pi 4 po dans une installation à 30 po au-dessus du comptoir avec un coude de 10 po.

| Hauteur réelle du plafond | * Hauteur d'installation possible de la hotte | Cache-conduits de 6 po | Cache-conduits de 12 po |
|---------------------------|---|------------------------|-------------------------|
| 7 pi 11 po                | 35 po   | 1                      |                         |
| 8 pi 0 po                 | 30 po   |                        | 1                       |
| 8 pi 0 po                 | 36 po   | 1                      |                         |
| 8 pi 1 po                 | 31 po   |                        | 1                       |
| 8 pi 2 po                 | 32 po   |                        | 1                       |
| 8 pi 4 po                 | 33 po   |                        | 1                       |
| 8 pi 4 po                 | 34 po   |                        | 1                       |
| 8 pi 5 po                 | 35 po   |                        | 1                       |
| 8 pi 6 po                 | 30 po   | 1                      | 1                       |
| 8 pi 6 po                 | 36 po   |                        | 1                       |
| 8 pi 7 po                 | 31 po   | 1                      | 1                       |
| 8 pi 8 po                 | 32 po   | 1                      | 1                       |
| 8 pi 9 po                 | 33 po   | 1                      | 1                       |
| 8 pi 10 po                | 34 po   | 1                      | 1                       |
| 8 pi 11 po                | 35 po   | 1                      | 1                       |
| 9 pi 0 po                 | 30 po   |                        | 2                       |
| 9 pi 0 po                 | 36 po   | 1                      | 1                       |
| 9 pi 1 po                 | 31 po   |                        | 2                       |
| 9 pi 2 po                 | 32 po   |                        | 2                       |
| 9 pi 3 po                 | 33 po   |                        | 2                       |
| 9 pi 4 po                 | 34 po   |                        | 2                       |
| 9 pi 5 po                 | 35 po   |                        | 2                       |
| 9 pi 6 po                 | 30 po   |                        | 2                       |
| 9 pi 6 po                 | 36 po   | 1                      | 1                       |
| 9 pi 7 po                 | 31 po   | 1                      | 2                       |
| 9 pi 8 po                 | 32 po   | 1                      | 2                       |
| 9 pi 9 po                 | 33 po   | 1                      | 2                       |
| 9 pi 10 po                | 34 po   | 1                      | 2                       |
| 9 pi 11 po                | 35 po   | 1                      | 2                       |
| 10 pi 0 po                | 30 po   |                        | 3                       |
| 10 pi 0 po                | 36 po   | 1                      | 2                       |
| 10 pi 1 po                | 31 po   |                        | 3                       |
| 10 pi 2 po                | 32 po   |                        | 3                       |
| 10 pi 3 po                | 33 po   |                        | 3                       |
| 10 pi 4 po                | 34 po   |                        | 3                       |

\* Basée sur une hauteur de comptoir de 36 po.

**REMARQUE :** Des cache-conduits supplémentaires peuvent être utilisés pour atteindre des plafonds plus hauts.

# Préparatifs

## PLANIFICATION PRÉLIMINAIRE

### Préparatifs relatifs aux conduits d'évacuation

- Ces hottes de ventilation sont conçues pour des conduits ronds de 10 po. Pour un meilleur rendement d'évacuation, utilisez des conduits ronds de 10 po sur les hottes de 48 po de large. Les hottes de 30 po et 36 po peuvent s'adapter à des conduits de transition ronds de 8 po.
- Cette hotte peut être pourvue d'un conduit d'évacuation vertical à travers les armoires supérieures, la retombée de plafond ou le plafond. Un adaptateur de conduit est fourni pour l'évacuation à la verticale. Utilisez des coudes disponibles en quincaillerie pour évacuer l'air horizontalement à travers le mur arrière.
- Déterminez l'emplacement exact de la hotte.
- Planifiez le chemin que prendra l'air avant d'être évacué vers l'extérieur.
- Utilisez la longueur de conduit la plus courte et la plus rectiligne possible. Par souci d'efficacité, le conduit ne doit pas excéder une longueur équivalente à 150 pi dans toutes les configurations.
- Consultez le tableau « Raccords de conduit » pour calculer la longueur maximale admissible du conduit vers l'extérieur.
- Utilisez uniquement des conduits métalliques.
- Installez un clapet mural ou un chapeau de toit muni d'un registre dans l'ouverture extérieure. Commandez l'évent mural ou de toiture et tout adaptateur de conduit à l'avance.
- Le cas échéant, installez un système d'air d'appoint (de remplacement) conformément aux exigences du code du bâtiment local. Visitez le site [electromenagersge.ca](http://electromenagersge.ca) pour connaître les solutions d'air d'appoint offertes.

### Charpente murale pour un support adéquat

- Ces hottes de ventilation sont lourdes. Pour soutenir la hotte, la charpente murale doit être adéquate. La hotte doit être fixée aux montants verticaux du mur.
- Il est fortement recommandé que la hotte et le cache-conduit soient sur le site d'installation avant la mise en place finale et la finition du mur. Ainsi, vous pourrez précisément repérer l'emplacement du conduit et du système électrique.

### Cache-conduits décoratifs

Des cache-conduits décoratifs de 6 po et 12 po de hauteur sont disponibles pour s'adapter à tous les modèles. La garniture dissimule le conduit d'évacuation du haut de la hotte jusqu'au plafond ou jusqu'à la retombée de plafond. Superposez un ou plusieurs cache-conduits sur le dessus de la hotte pour atteindre la hauteur de votre plafond.

## ALIMENTATION ÉLECTRIQUE

### IMPORTANT – (veuillez lire attentivement)

**⚠ AVERTISSEMENT** POUR VOTRE SÉCURITÉ, CET APPAREIL DOIT ÊTRE CORRECTEMENT MIS À LA TERRE.

Enlevez le fusible ou déclenchez le disjoncteur au panneau de distribution électrique avant d'entreprendre l'installation.

N'utilisez pas de rallonge électrique ni de fiche d'adaptation avec cet appareil. Observez le Code national de l'électricité ou la réglementation et les exigences locales en vigueur.

### Alimentation électrique

Ces hottes sont conçues pour une alimentation électrique de 120 V et 60 Hz, et doivent être branchées à un circuit de dérivation individuel correctement mis à la terre et protégé par un disjoncteur de 15 ou 20 ampères ou par un fusible temporisé.

- Le câblage doit comprendre deux fils plus un fil de mise à la terre.
- Si votre système d'alimentation électrique ne répond pas aux exigences ci-dessus, demandez conseil auprès d'un électricien qualifié avant de débiter l'installation.
- Acheminez le câblage de la maison aussi près que possible de l'emplacement d'installation sur le mur arrière ou au plafond.
- Effectuez les branchements de votre câblage résidentiel conformément aux codes locaux.

### Instructions de mise à la terre

Le conducteur de terre doit être raccordé à une partie métallique, un câblage permanent, ou une borne ou un câble de mise à la terre de la hotte.

**⚠ AVERTISSEMENT** Un raccordement inadéquat du conducteur de terre de l'équipement peut accroître les risques de choc électrique. En cas de doute quant à la mise à la terre de l'appareil, consultez un électricien qualifié ou un représentant du service après-vente.

# Préparatifs

## RACCORDS DE CONDUIT

**Ces hottes sont conçues pour des conduits ronds de 10 po.**

Utilisez ce tableau pour calculer la longueur maximale admissible du conduit vers l'extérieur.

**REMARQUE :** N'excédez pas la longueur équivalente maximale admissible!



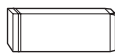
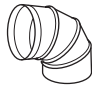

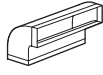
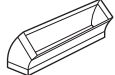

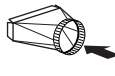
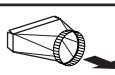
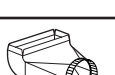
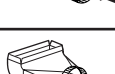




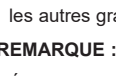
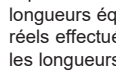

**Longueur de conduit maximale recommandée pour ces hottes : 150 pi**

### Conduit flexible :

Si vous utilisez des conduits métalliques flexibles, toutes les valeurs en pieds équivalents du tableau doivent être doublées. Le conduit métallique flexible doit être droit et souple, et étiré le plus possible.

N'UTILISEZ PAS de conduit flexible en plastique.

**REMARQUE :** Tout système de ventilation domestique, telle une hotte d'évacuation, peut interférer sur le débit adéquat de l'air de combustion et d'évacuation des foyers, des brûleurs à gaz, des chauffe-eau à gaz et de tout autre système à aspiration naturelle. Afin de minimiser les risques d'interruption de tels systèmes à aspiration naturelle, suivez les directives du fabricant de l'équipement de chauffage ainsi que les normes de sécurité publiées par la NFPA et l'ASHRAE. Le cas échéant, installez un système d'air d'appoint (de remplacement) conformément aux exigences du code du bâtiment local. Visitez le site [electromenagersge.ca](http://electromenagersge.ca) pour connaître les solutions d'air d'appoint offertes.

| Section de conduit  | Dimensions  | Longueur équivalente*                       | Quantité utilisée | Longueur équivalente totale |
|---|---|---|-------------------|-----------------------------|
|    | Rond de 10 po à rond de 8 po  | 5 pi  |                   |                             |
|    | Rond, droit   | 1 pi<br>(par pied de longueur)              |                   |                             |
|    | Droit de 3-1/4 po x 10 po<br>3-1/4 po x 12 po   | 1 pi<br>(par pied de longueur)              |                   |                             |
|    | Coude de 90°  | 8 po de diam. 17 pi<br>10 po de diam. 24 pi |                   |                             |
|    | Coude de 45°  | 8 po de diam. 10 pi<br>10 po de diam. 14 pi |                   |                             |
|    | Coude de 90°<br>3-1/4 po x 12 po  | 15 pi                                       |                   |                             |
|    | Coude de 90°<br>3-1/4 po x 10 po  | 14 pi                                       |                   |                             |
|   | Coude de 45°<br>3-1/4 po x 10 po  | 8 pi  |                   |                             |
|  | Coude de 45°<br>3-1/4 po x 12 po  | 9 pi  |                   |                             |
|  | Coude plat de 90°<br>3-1/4 po x 10 po   | 33 pi                                       |                   |                             |
|  | Coude plat de 90°<br>3-1/4 po x 12 po   | 36 pi                                       |                   |                             |
|  | Conduit de transition rond de 10 po à rectangulaire de 3-1/4 po x 10 po ou 3-1/4 po x 12 po       | 9 pi  |                   |                             |
|  | Conduit de transition rectangulaire de 3-1/4 po x 10 po ou 3-1/4 po x 12 po à rond de 10 po       | 6 pi  |                   |                             |
|  | Coude de transition de 90°, rond de 10 po à rectangulaire de 3-1/4 po x 10 po ou 3-1/4 po x 12 po | 16 pi<br>13 pi                              |                   |                             |
|  | Coude de transition de 90°, rectangulaire de 3-1/4 po x 10 po ou 3-1/4 po x 12 po à rond de 10 po | 9 pi<br>8 pi                                |                   |                             |
|  | Clapet mural rond avec registre   | 8 po de diam. 32 pi<br>10 po de diam. 41 pi |                   |                             |
|  | Clapet mural rectangulaire de 3-1/4 po x 10 po  | 24 pi                                       |                   |                             |
|  | ou 3-1/4 po x 12 po avec registre   | 26 pi                                       |                   |                             |
|  | Chapeau de toit rond  | 8 po de diam. 44 pi<br>10 po de diam. 56 pi |                   |                             |

\* Les hottes sont fournies avec un conduit de transition rond de 10 po. Un conduit de transition fourni par un détaillant de votre région est requis pour les autres grandeurs.

**REMARQUE :** La sortie sur le dessus de la hotte mesure 8-1/8 po x 8 po.

\* Équivalente à la longueur réelle du conduit droit et du raccord. Les longueurs équivalentes des sections de conduit sont basées sur des essais réels effectués par GE Appliances Evaluation Engineering et représentent les longueurs nécessaires à une bonne ventilation pour tout type de hotte.

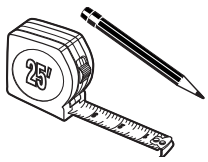
Longueur totale de conduit \_\_\_\_\_



# Préparatifs avant l'installation

## OUTILS ET MATÉRIEL NÉCESSAIRES

(NON FOURNIS)



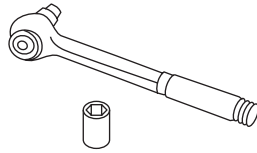
Crayon et ruban à mesurer



Ruban adhésif



Coupe-fil/pince à dénuder



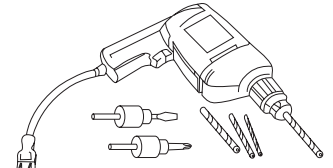
Lunettes de sécurité



Marteau



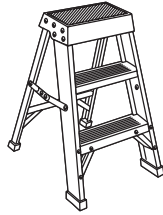
Scie à guichet



Perceuse électrique ou à piles et mèches de 1/8 po et 3/8 po



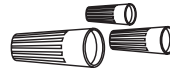
Niveau à bulle



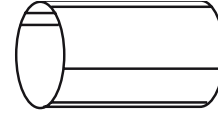
Escabeau



Scie sauteuse ou scie alternative



Capuchons de connexion



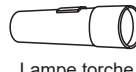
Conduit rond en métal de 10 po d'une longueur suffisante pour l'installation



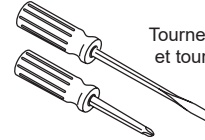
Pince



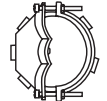
Cisailles à métaux



Lampe torche



Tournevis Phillips et tournevis plat



Serre-câble pour boîte de jonction

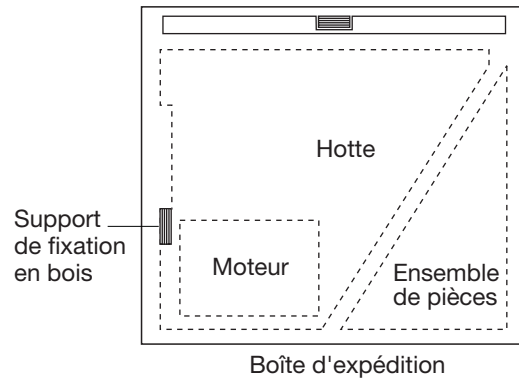


Circuit de dérivation à 2 fils et mise à la terre de 15 ou 20 A, 120 V/60 Hz, correctement mis à la terre

## DÉBALLAGE

- Retirez l'entretoise transversale en bois, ainsi que le carton de protection supérieur.
- Retirez les quatre protecteurs en « L » en polystyrène.
- Retirez les moulures de protection autour de la plus petite boîte en carton.
- Retirez la petite boîte contenant le moteur.
- Sortez la hotte de la boîte.

**ATTENTION** Soulevez la hotte en saisissant les rebords extérieurs de l'ouverture de son entrée d'air. **Ne soulevez pas la hotte par le séparateur de l'ouverture de ventilation – cela risquerait de l'endommager!**



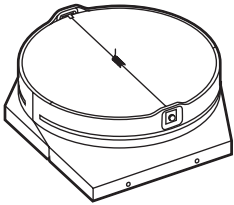
- Retirez les vis d'expédition qui maintiennent la pièce de montage en bois à l'arrière de la hotte. **Mettez de côté la pièce de montage en bois et les vis pour une utilisation ultérieure. Ne pas jeter.**
- Retirez la boîte en carton en forme de « V ».
- Retirez l'emballage de pièces contenu dans la boîte en carton en forme de « V ».
- Retirez le couvercle de la boîte de jonction et l'alvéole défonçable.
- Installez le serre-câble à l'arrière ou sur le dessus de la hotte.
- Retirez tout le ruban adhésif et le matériel d'emballage de la hotte, du conduit de transition et du moteur.



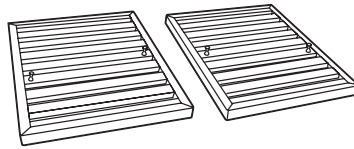
# Préparatifs avant l'installation

## PIÈCES FOURNIES

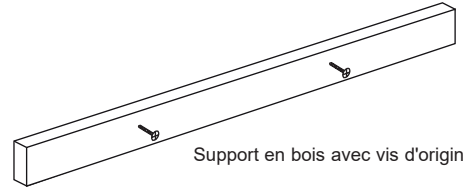
Localisez les pièces emballées avec la hotte.



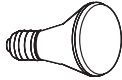
Conduit de transition avec registre



2 filtres à graisse en acier inoxydable (3 filtres avec les modèles de 48 po)



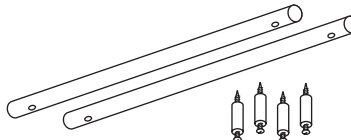
Support en bois avec vis d'origine



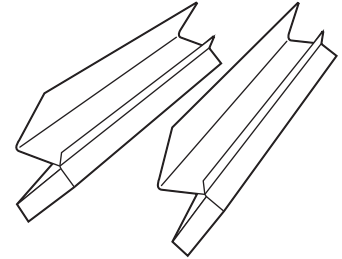
Lampe chauffante (2 avec les modèles de 48 po)



Clé Allen pour tiges d'ustensiles



2 tiges d'ustensiles et 4 entretoises



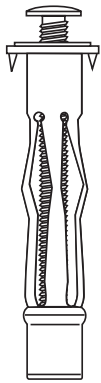
2 plateaux de filtre à graisse (3 avec les modèles de 48 po)

## TROUSSE DE QUINCAILLERIE

Localisez et vérifiez le contenu de l'emballage. Vis illustrées en taille réelle.



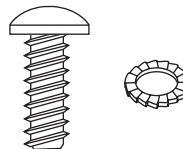
4 vis à tête Phillips pour fixer le conduit de transition vers la sortie sur le dessus de la hotte



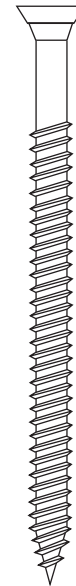
2 ancrages muraux creux (3/16 po) avec vis pour fixer au mur la partie inférieure de la hotte



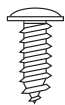
2 rondelles plates pour ancrages muraux



1 vis de sécurité et rondelle de blocage, pour fixer le ventilateur (la vis est marquée de peinture rouge ou bleue)



4 vis pour fixer le support en bois au mur POZIDRIV 3



6 vis à tête Phillips pour fixer la hotte au support en bois (2 vis fixées au support en bois)

# Instructions d'installation

## 1 DÉTERMINER LES EMPLACEMENTS D'INSTALLATION DE LA HOTTE, DES CONDUITS ET DU CÂBLAGE

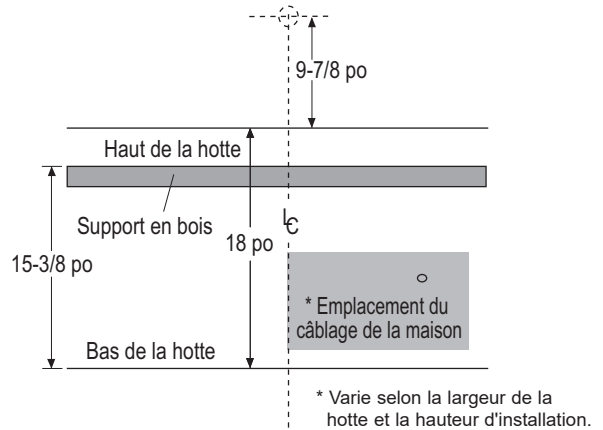
- Utilisez un niveau pour tracer l'emplacement de la ligne centrale de la surface de cuisson. Tracez la ligne jusqu'au plafond.
- Mesurez la distance désirée entre le bas de la hotte et la surface de cuisson (30 po min. à 36 po max.).

**REMARQUE :** Si vous installez la hotte avec des cache-conduits, assurez-vous de lire la section « Cache-conduits en option » à la page 4. La hauteur d'installation exacte peut être déterminée en utilisant un ou plusieurs cache-conduits.

- Utilisez un niveau pour tracer une ligne droite horizontale au crayon indiquant le bas de la hotte.
- À partir de la ligne indiquant le bas de la hotte, mesurez 15-3/8 po vers le haut et tracez une autre ligne pour l'emplacement du support en bois. Reportez-vous à l'illustration.

### POUR UN CONDUIT VERTICAL (droit)

- Utilisez un niveau pour tracer une ligne médiane du bas de la hotte jusqu'au plafond ou à la retombée du plafond.
- Si vous évacuez par le plafond, prolongez la ligne médiane vers l'avant sur le plafond ou la retombée du plafond.
- Sur la ligne centrale, marquez l'emplacement d'un trou de 10-1/2 po sur le plafond ou la retombée du plafond, 6 po à partir du mur.



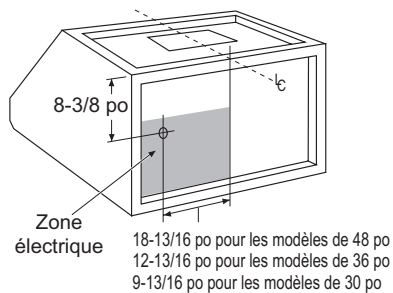
### POUR UNE ÉVACUATION PAR LE MUR ARRIÈRE

- Mesurez 9-7/8 po au-dessus de la ligne tracée pour le haut de la hotte. Sur la ligne centrale, marquez l'emplacement d'un trou de 10-1/2 po de diamètre.

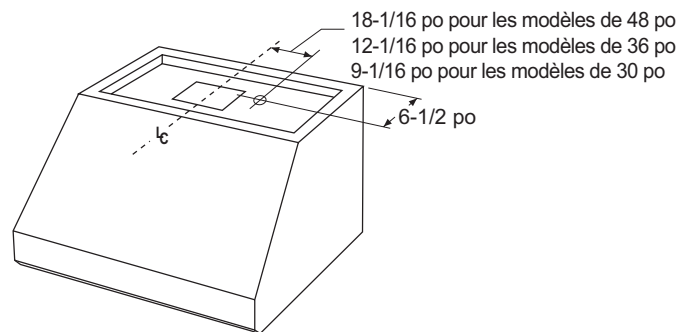
**REMARQUE :** La hauteur minimale du plafond pour une ÉVACUATION PAR LE MUR ARRIÈRE avec cache-conduits est de 8 pi 4 po dans une installation à 30 po au-dessus du comptoir avec un coude de 10 po.

### Emplacement du câblage

- La boîte de jonction est fixée à droite sur la partie arrière de la hotte.



- Le côté arrière en retrait de la hotte offre une grande surface permettant au câblage de la maison de sortir du mur et d'être acheminé vers la boîte de jonction et l'alvéole défonçable arrière.
- L'emplacement du câblage de la maison dépend de la hauteur d'installation de la hotte et de la largeur de cette dernière.
- Retirez le couvercle de la boîte de jonction et l'alvéole défonçable. Installez le serre-câble.



### Autres emplacements d'alvéole défonçable

Si l'installation l'exige, la boîte de jonction peut être déplacée de l'arrière vers le haut de la hotte. Retirez les 3 vis, alignez la boîte sur l'alvéole défonçable supérieure et fixez-la avec les vis d'origine.

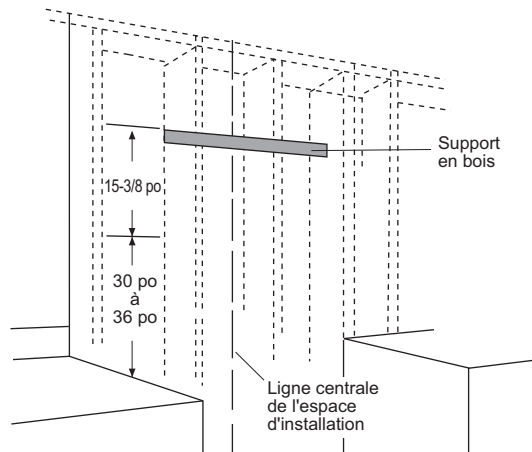
- Retirez le couvercle de la boîte de jonction et l'alvéole défonçable. Installez le serre-câble.

# Instructions d'installation

## 2A INSTALLER LA HOTTE SUR LE MUR

SAUTEZ CETTE ÉTAPE SI L'INSTALLATION EST EFFECTUÉE SOUS UNE RETOMBÉE DE PLAFOND OU SOUS UNE ARMOIRE – PASSEZ À L'ÉTAPE 2B.

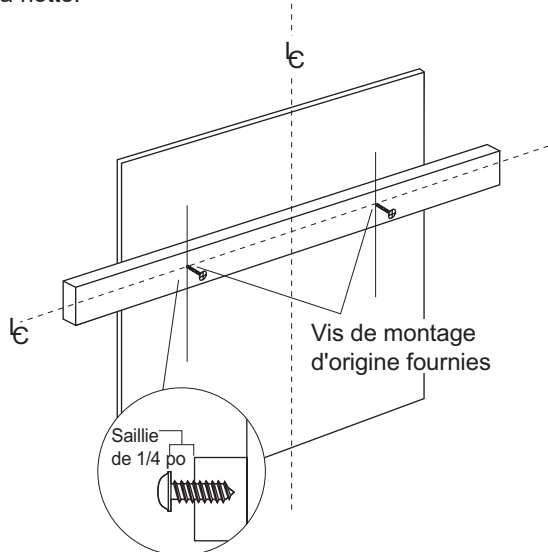
- Localisez au moins 2 montants verticaux pour le support en bois.
- Centrez le support en bois fourni, de gauche à droite et en dessous de la ligne de 15-3/8 po qui a été tracée.



- Fixez le support en bois à 2 montants verticaux ou plus, à l'aide d'au moins 2 des 4 longues vis fournies.

**IMPORTANT :** Les vis doivent pénétrer d'au moins 1-1/2 po dans les montants verticaux. Chanfreinez les trous de vis sur le support.

**REMARQUE :** Les vis de montage doivent rester dans leur emplacement d'expédition d'origine. Ces vis sont positionnées pour s'engager dans les encoches en trou de serrure à l'arrière de la hotte.



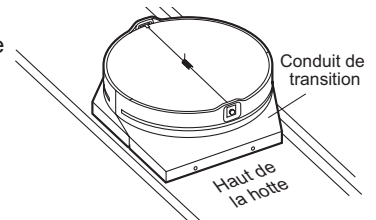
- Ajustez la profondeur des vis de montage d'origine dans le support en bois jusqu'à ce qu'elles dépassent de 1/4 po. Cette saillie de 1/4 po permettra de suspendre la hotte.

**IMPORTANT :** La charpente doit pouvoir soutenir une charge de 150 lb (68 kg).

### Installer le conduit de transition sur le dessus de la hotte

**IMPORTANT :** Retirez le ruban d'expédition du registre et vérifiez que ce dernier se déplace librement.

- Placez le conduit de transition sur l'évacuation de la hotte et fixez-le avec les 4 vis fournies.



- Utilisez du ruban adhésif pour sceller le raccord. Vérifiez que le registre se déplace librement.

### Accrocher la hotte sur le support en bois

- Soulevez la hotte et maintenez-la près de l'emplacement d'installation. Acheminez le câblage de la maison à travers l'alvéole défonçable jusque dans la boîte de jonction.
- Placez la hotte sur le support en bois. Assurez-vous que les vis de montage s'engagent dans les encoches en trou de serrure à l'arrière de la hotte. Serrez les vis.

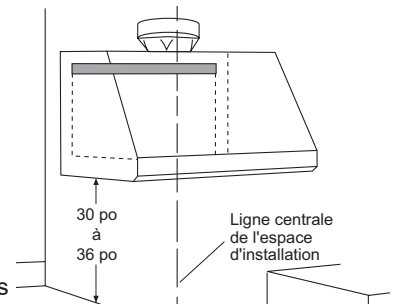
### ⚠ AVERTISSEMENT

Fournir un support supplémentaire à la hotte pendant qu'elle n'est fixée qu'avec ces 2 vis. Ces vis ne supporteront pas le poids de la hotte. La hotte pourrait tomber et entraîner des dommages ou des blessures.

- Vérifiez que la hotte est de niveau et centrée.

### Tester l'ajustement du cache-conduit

- Placez le ou les cache-conduits sur le dessus de la hotte pour vérifier la présence d'espaces indésirables. Ajustez la hotte vers le haut ou vers le bas si nécessaire.



### Installer les vis de montage inférieures

- Percez des avant-trous de 1/8 po dans les deux orifices de montage inférieurs. Agrandissez les trous à 3/8 po s'il est impossible d'atteindre les montants. Insérez des ancrages pour les fixations murales dans les trous inférieurs. Retirez les vis d'ancrage et ajoutez les rondelles plates fournies. Vissez les vis dans les ancrages et serrez.
- Vissez 4 vis supplémentaires à l'arrière de la hotte et dans le support en bois.

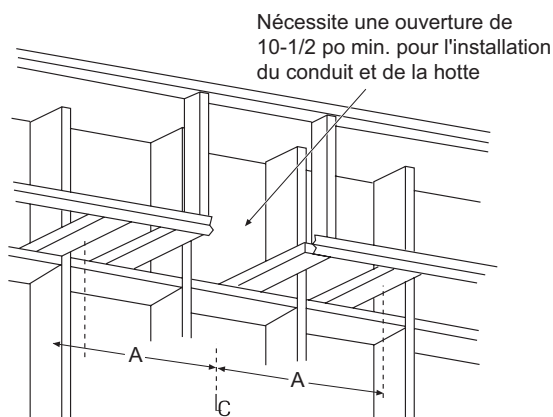
# Instructions d'installation

## 2B Autre méthode de montage INSTALLER LA HOTTE SOUS UNE RETOMBÉE DE PLAFOND OU UNE ARMOIRE

### SAUTEZ CETTE ÉTAPE SI VOUS FIXEZ LA HOTTE À UN MUR

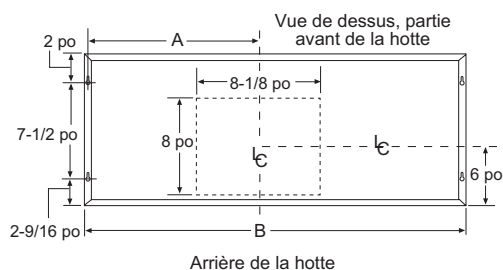
Au besoin, la hotte peut être soutenue par la retombée de plafond.

- La retombée de plafond doit être construite en 2 x 4.
- Déterminez l'emplacement d'installation sur le mur.
- Prolongez la ligne centrale jusqu'au bas de la retombée de plafond ou de l'armoire.
- L'ouverture au-dessus de la hotte doit permettre au conduit rond de 10 po et au dégagement de glisser la hotte contre le mur.



- Les montants en 2 x 4 doivent être situés comme indiqué dans le tableau, dim. A, pour accepter les vis de montage.

|       | « A » = ligne centrale du montant aux encoches en trou de serrure | « B » = largeur de la hotte en haut |
|-------|---|-------------------------------------|
| ZV48T | 19-9/16 po  | 40 po                               |
| ZV48S | 23-9/16 po  | 47-15/16 po                         |
| ZV36T | 13-9/16 po  | 28 po                               |
| ZV36S | 17-9/16 po  | 35-15/16 po                         |
| ZV30T | 10-9/16 po  | 22 po                               |
| ZV30S | 14-9/16 po  | 29-15/16 po                         |

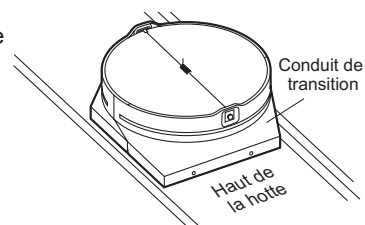


- Percez des avant-trous de 1/8 po dans les montants aux emplacements indiqués sur l'illustration de la vue de dessus.

**IMPORTANT :** La charpente de la retombée de plafond doit être capable de supporter jusqu'à 150 lb (68 kg).

### Installer le conduit de transition sur le dessus de la hotte

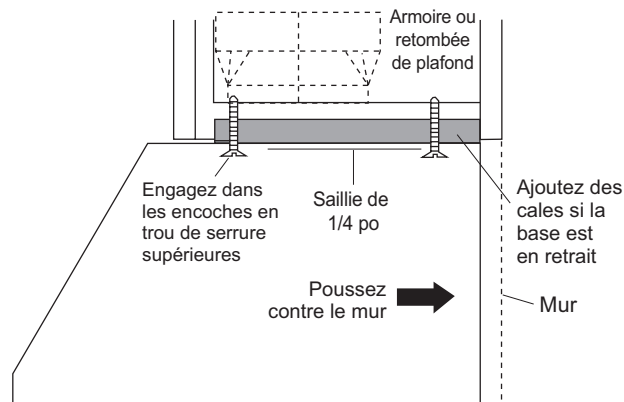
**IMPORTANT :** Retirez le ruban d'expédition du registre et vérifiez que ce dernier se déplace librement.



- Placez le conduit de transition sur l'évacuation de la hotte et fixez-le avec les 4 vis fournies.
- Utilisez du ruban adhésif pour sceller le raccord. Vérifiez que le registre se déplace librement.

### Fixer la hotte sous une retombée de plafond ou une armoire

**REMARQUE :** Si la hotte est fixée à une armoire pourvue d'une base en retrait, installez des cales pour combler l'espace.



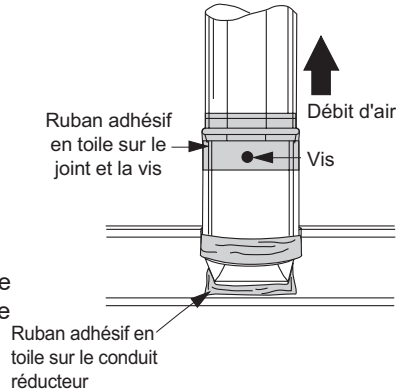
- Installez les vis dans les montants en les laissant dépasser de 1/4 po. Cette saillie de 1/4 po permet d'engager les vis dans les encoches en trou de serrure de la partie supérieure de la hotte.
- Soulevez la hotte en position d'installation. Localisez le câblage de la maison et acheminez-le à travers l'alvéole défonçable (à partir de l'arrière ou du haut de la hotte).
- Soulevez la hotte et suspendez-la sur les vis de montage. Poussez la hotte contre le mur.
- Serrez les vis de montage.

**IMPORTANT :** Pour un support supplémentaire et pour minimiser les vibrations pendant le fonctionnement, la hotte doit être fixée à la paroi arrière. Utilisez des ancrages muraux pour fixer au mur la surface inférieure de la hotte.

# Instructions d'installation

## 3 RACCORDER LE CONDUIT

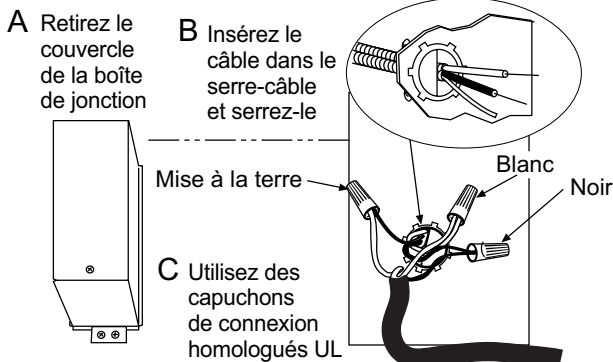
- Installez le conduit selon la direction du débit d'air, comme illustré.
- Raccordez les joints dans les conduits avec des vis à tôle.
- Enveloppez tous les joints de conduit de ruban adhésif pour les sceller.
- Utilisez du ruban adhésif en toile pour sceller le joint entre l'adaptateur et les rebords. Poussez vers le haut le registre à l'intérieur de la hotte pour vous assurer qu'il se déplace librement.



## 4 BRANCHER L'APPAREIL À L'ALIMENTATION ÉLECTRIQUE

Vérifiez que l'alimentation est coupée à la source.

**⚠ AVERTISSEMENT** Si le circuit de la maison n'est pas un circuit à deux fils muni d'un fil de mise à la terre, l'installateur doit poser un fil de mise à la terre. Lorsque le câblage de la maison est en aluminium, assurez-vous d'utiliser un composé antioxydant et des connecteurs aluminium-cuivre homologués UL.



- Utilisez des capuchons de connexion pour connecter le fil de mise à la terre entrant au fil vert, le fil blanc au fil blanc et le fil noir au fil noir.
- Poussez les fils dans la boîte de jonction et remettez le couvercle. Assurez-vous que les fils ne sont pas coincés.

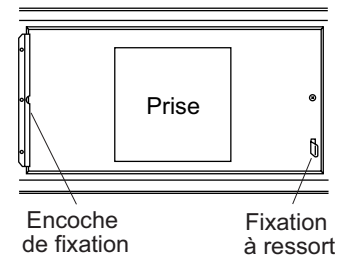
## 5 INSTALLER LES CACHE-CONDUITS

**REMARQUE :** Pour une manipulation plus facile, retirez la pièce en carton une fois le film décollé.

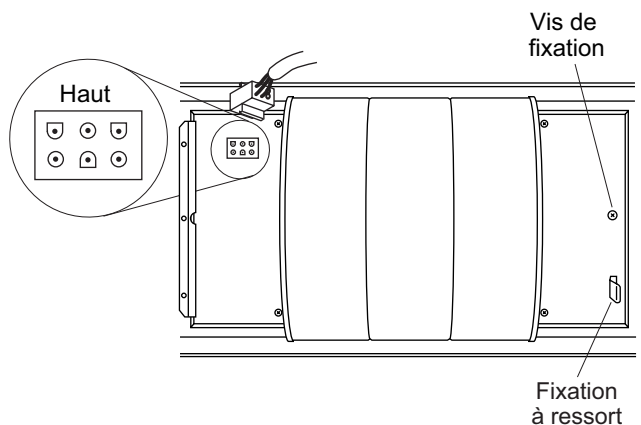
Enlevez le film protecteur des couvre-conduits. Si plus d'un cache-conduit est utilisé, fixez chaque pièce avec les vis fournies.

- Placez le ou les cache-conduits sur le dessus de la hotte.
- De l'intérieur de la hotte, fixez le cache-conduit sur le dessus de la hotte à l'aide des petites vis à tête Phillips fournies avec les cache-conduits.

## 6 INSTALLER LE MOTEUR



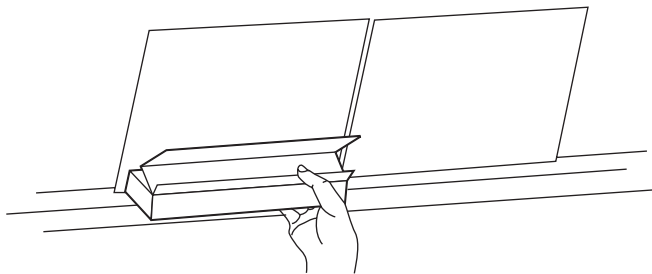
- Depuis l'intérieur de la hotte, faites glisser le moteur dans l'encoche de fixation située à gauche.
- Faites tourner le moteur vers le haut jusqu'à ce qu'il s'enclenche dans la fixation à ressort située à droite.
- Fixez le moteur à la hotte avec la vis à métaux et la rondelle de blocage. (La vis est marquée de peinture rouge ou bleue.)
- Branchez le connecteur dans le moteur.



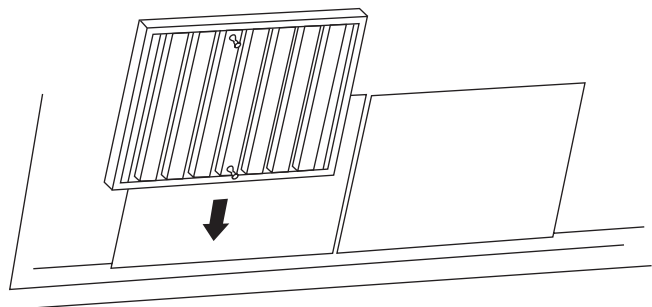
**IMPORTANT :** Les extrémités du connecteur sont conçues pour ne se brancher que dans un seul sens. Faites correspondre les connecteurs plats et ronds comme indiqué.

# Instructions d'installation

## 7 INSTALLER LES FILTRES

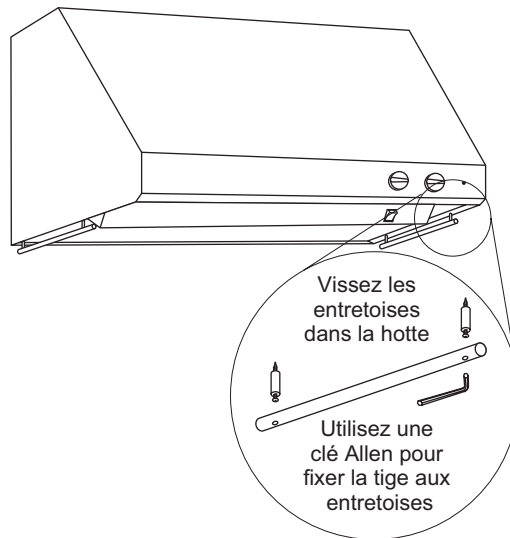


- Placez les plateaux d'égouttement des filtres à l'arrière de la hotte.



- Insérez le filtre à graisse dans l'ouverture et déposez-le dans les plateaux.
- Pour retirer les filtres, saisissez la poignée, poussez le filtre vers le haut et soulevez-le.

## 8 INSTALLER LES TIGES D'USTENSILES



- Utilisez un tournevis à lame plate pour installer les entretoises au bas de la hotte.
- Alignez la tige d'ustensiles sur les entretoises avec le trou de vis vers l'intérieur de la hotte. Fixez la tige aux entretoises avec la clé Allen fournie.
- Suivez la même procédure du côté opposé.

## FINALISER L'INSTALLATION

- Installez la ou les ampoules infrarouges fournies.
- Reportez-vous au Manuel de l'utilisateur pour les instructions de test de fonctionnement.

# Notes

---

**REMARQUE :** Lors de la procédure d'installation décrite dans ce manuel, il est recommandé de porter des lunettes de sécurité.

Pour joindre le service à la clientèle de Monogram<sup>MD</sup> dans votre région, appelez le 1-800-444-1845.

**REMARQUE :** L'amélioration des produits est une préoccupation constante chez Électroménagers GE. Par conséquent, les matériaux, l'apparence et les spécifications peuvent être modifiés sans préavis.